

Overall Length



2T SERIES, 2" (STAINLESS STEEL) SCREW PLUG HEATERS						
WATTS	VOLTS	OVERALL LENGTH In./(mm)	PIPE THREAD	NO. OF ELEMENTS	MODEL NUMBER	SHIP WGT. Lbs./(kg)
2000	240	8	2	2	2T2208	5
	480	(203)			2T2408	(2.3)
3000	240	12	2	2	2T3212	6
	480	(305)			2T3412	(2.7)
4000	240	18	2	2	2T4218	7
	480	(457)			2T4418	(3.2)
6000	240	25	2	2	2T6225	8
	480	(635)			2T6425	(3.6)
8000	240	32	2	2	2T8232	10
	480	(813)			2T8432	(4.5)
10000	240	40	2	2	2T10240	11
	480	(1016)			2T10440	(5)
12000	480	48	2	2	2T12448	13
		(1219)				(5.9)
15000	480	54	2	2	2T15454	15
		(1372)				(6.8)

T2T SERIES, 2" (TITANIUM) SCREW PLUG HEATERS						
WATTS	VOLTS	OVERALL LENGTH In./(mm)	PIPE THREAD	NO. OF ELEMENTS	MODEL NUMBER	SHIP WGT. Lbs./(kg)
2000	240	8	2	2	T2T2208	5
	480	(203)			T2T2408	(2.3)
4000	240	18	2	2	T2T4218	7
	480	(457)			T2T4418	(3.2)
6000	240	25	2	2	T2T6225	8
	480	(635)			T2T6425	(3.6)
8000	240	32	2	2	T2T8232	10
	480	(813)			T2T8432	(4.5)
12000	480	48	2	2	T2T12448	13
		(1219)				(5.5)

## 2T & T2T Screw Plug Heater Features and Benefits

### SUPERIOR CHEMICAL RESISTANCE:

- ◆ For use in most aqueous alkaline solutions and rinse tanks. Check solution recommendation chart or with your chemical supplier for proper sheath material selection.

### RUGGED CONSTRUCTION:

- ◆ Heavy wall metal sheaths and screwplug in 316 stainless steel and titanium.

### OUTSTANDING PERFORMANCE:

- ◆ Watt densities of 45-55 watts per square inch for 316 stainless and <60 watts per square inch for titan ensure long service life.

### CORROSION RESISTANT HEAD:

- ◆ Vapor tight, flame retardant PVC enclosure.

### SAFETY FEATURES:

- ◆ Grounded construction.

**CERTIFICATIONS:** NRTL, CSA and CE.

**SIZES:** 2,000 watts to 18,000 watts.

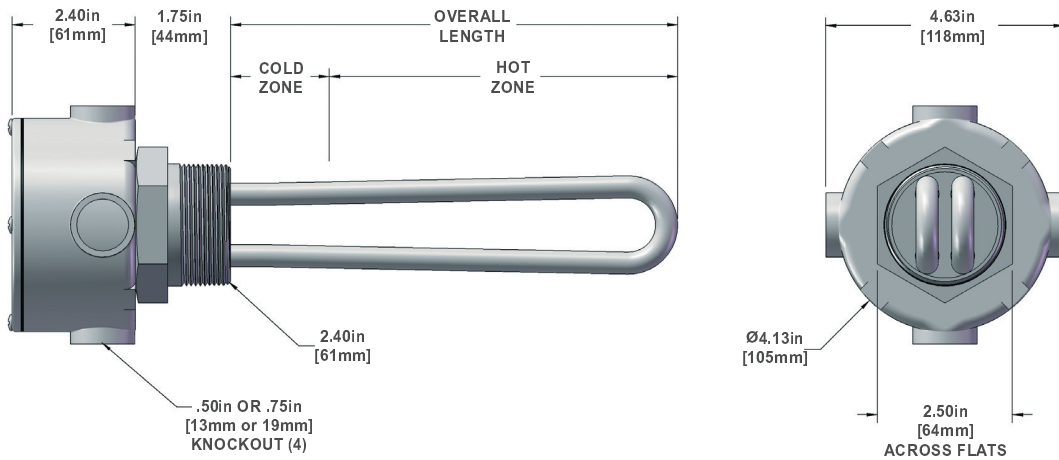
### VOLTAGES:

- ◆ 240 or 480 volts. 208, 380, 415, 600 and other voltages available.
- ◆ 2T (2 inch MNPT) models: Single phase standard, three phase available (some models).
- ◆ 5T (2-½ inch MNPT) models: Three phase standard, single phase available.

### OPTIONS AVAILABLE (consult factory):

- ◆ Special configurations and lengths.
- ◆ Thermowells.
- ◆ Explosion resistant enclosures.
- ◆ Carbon steel or incoloy elements.
- ◆ Lower watt densities for highly viscous solutions.
- ◆ Integral thermostats.
- ◆ Temperature and level controls sized to match the heater.

## DIMENSIONS



### 2T & T2T SERIES, 2" SCREW PLUG HEATER ORDERING INFORMATION

Series	Wattage	Voltage	Length (ft.)	Options
2 - 2000 3 - 3000 4 - 4000 6 - 6000 8 - 8000 10 - 10000 12 - 12000 15 - 15000	1 - 120 2 - 240 3 - 380 4 - 480 5 - 415 6 - 600 7 - 400 8 - 208 9 - 220 0 - 200	8 - 2kW 12 - 3kW 18 - 4kW 25 - 6kW 32 - 8kW 40 - 10kW (SS only) 48 - 12kW 54 - 15kW (SS only) (custom lengths available)	no designator - single phase power (standard) -3 - three phase power (three elements) -M2 - explosion/moisture resistant housing -W - thermowell -T - integral thermostat	
2T - 316 stainless steel T2T - titanium IN2T - Incoloy				

#### ORDERING EXAMPLE:

T2T8432-M2

2" NPT (pipe thread), titanium, 8000 watts, 480 volts, 32" overall length, explosion resistant housing.

