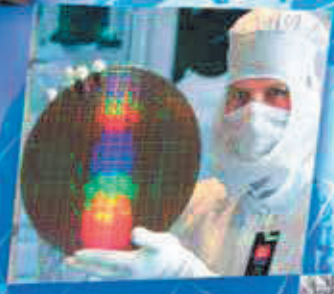




Industrial Plastics

Products Price List

Effective September 2016



Products Price List



Gemini Dual Containment® Tank Systems - Cylindrical

Description	Dia x Hgt	Wt (lbs)	1.5 Sp. Gr. LDPE			1.5 Sp. Gr. XLPE/LDPE	
			Blue	Natural	List \$	Natural	List \$
15 Gal G15 Gemini® Tank	19.5" x 28.75"	25	01-30440	01-30464	\$334.95	01-30587	\$435.43
20 Gal G20 Gemini® Tank	22" x 26.75"	28	01-30441	01-30465	\$359.92	01-30588	\$467.88
40 Gal G40 Gemini® Tank	22" x 42.5"	43	01-30442	01-30467	\$511.44	01-30590	\$664.87
40 Gal G40 Gemini® Tank - Flat	23.5" x 39.5"	43	01-30438	01-30466	\$511.44	01-30589	\$664.87
62 Gal G62 Gemini® Tank - Flat	25.5" x 38"	57	01-30443	01-30468	\$607.79	01-30591	\$790.13
65 Gal G65 Gemini® Tank	27" x 47"	48	01-30444	01-30469	\$687.80	01-30592	\$790.13
90 Gal G90 Gemini® Tank	34" x 41.25"	75	01-30445	01-30470	\$825.48	01-30593	\$1,074.79
120 Gal G120 Gemini® Tank	33" x 47"	76	01-30446	01-30471	\$925.72	01-30594	\$1,203.43
160 Gal G160 Gemini® Tank	34" x 68"	160	01-30447	01-30472	\$1,218.83	01-30595	\$1,584.48
220 Gal G220 Gemini® Tank	48" x 48"	195	01-30448	01-30473	\$1,495.00	01-30596	\$2,193.76
320 Gal G320 Gemini® Tank	48" x 60.5"	210	01-30449	01-30474	\$1,904.39	01-30597	\$2,475.71
500 Gal G500 Gemini® Tank	61" x 66.5"	350	01-30450	01-30475	\$2,595.00	01-30598	\$3,884.31

Gemini Dual Containment® CLO2 Tank Systems

Description	Wt (lbs)	Part #	List \$
20 Gal Gemini® PVDF/inner, PE/outer, CLO2 Lid - no fittings	37	01-30677	\$2,099.43
40 Gal Gemini® PVDF/inner, PE/outer, CLO2 Lid - no fittings	60	01-30678	\$3,615.69
62 Gal Gemini® PVDF/inner, PE/outer, CLO2 Lid - no fittings	70	01-30679	\$4,082.23
120 Gal Gemini® PVDF/inner, PE/outer, CLO2 Lid - no fittings	110	01-30680	\$7,464.64
PVDF Fitting Kit (1) 3/4" and (1) 2" PVDF Half coupling installed		02-30683	\$612.34



Gemini² Dual Containment® Tanks - Square

Description	L x W x H	Wt (lbs)	1.5 Sp. Gr. LDPE			1.5 Sp. Gr. XLPE/LDPE	
			Blue	Natural	List \$	Natural	List \$
5 Gallon Gemini ² ® Tank NEW	14" x 14" x 13.5"	12	01-31922	01-31923	\$198.75	01-31926	\$258.37
10 Gallon Gemini ² ® Tank	14" x 14" x 22"	15	01-30522	01-30532	\$265.34	01-30621	\$344.72
20 Gallon Gemini ² ® Tank	18" x 18" x 24"	27	01-30523	01-30533	\$369.73	01-30622	\$480.64
40 Gallon Gemini ² ® Tank	20" x 20" x 37.25"	45	01-30524	01-30534	\$548.47	01-30623	\$713.02
70 Gallon Gemini ² ® Tank*	24" x 24" x 40.5"	66	01-30525	01-30535	\$785.00	01-30624	\$983.88
120 Gallon Gemini ² ® Tank*	30" x 30" x 48"	105	01-30526	01-30536	\$1,410.43	01-30625	\$1,544.00

Tanks above (Cylindricals and Squares) are Low Density Polyethylene 1.5 SPG. Please multiply list by each of the following for each upgrade you wish to add: For Heavy Duty (1.9SPG) multiply list by 1.2; for High Density multiply list by 1.15; for Crosslink/Polyethylene multiply list by 1.3. Please call for PPL and PVDF pricing. Please call for special part #'s.

Gemini Stacker™

Description	L x W x H	Wt (lbs)	Dark Grey	List \$
Gemini® Stacker 1520-PS	30" x 30" x 46.25	50	02-30682	\$697.49



Steel Dolly With Casters

Would you like to be able to move your Gemini or Open Top tank around your facility?

Then you need one of our Steel Dolly's with Casters for easy mobility of your tanks.

Our Dolly's are rugged mild steel with construction with heavy duty steel casters rated to hold our tanks, even full of your heavy liquids.

Just select the caster base designed for your tank size from the tables below.

Dollies with Casters for Gemini® Cylindrical Tanks		
Description	Part #	List
Steel Dolly w/Casters, for 15 Gal Gemini® Tank	02-31593	\$1,06
Steel Dolly w/Casters, for 20 Gal Gemini® Tank	02-30730	\$1,12
Steel Dolly w/Casters, for 40 Gal Gemini® Tank Flat/Dome	02-31594	\$1,12
Steel Dolly w/Casters, for 62 & 65 Gal Gemini® Tank	02-31595	\$1,27
Steel Dolly w/Casters, for 90 Gal Gemini® Tank	02-31597	\$1,53
Steel Dolly w/Casters, for 120 Gal Gemini® Tank	02-31598	\$1,89
Steel Dolly w/Casters, for 160 Gal Gemini® Tank	02-31596	\$2,23
Steel Dolly w/Casters, for 220 Gal Gemini® Tank	02-31515	\$3,10
Steel Dolly w/Casters, for 320 Gal Gemini® Tank	02-31759	\$5,44
Steel Dolly w/Casters, for 500 Gal Gemini® Tank	02-31599	\$7,12

Dollies with Casters for Gemini® Square Tanks		
Description	Part #	List
Steel Dolly w/Casters, for 10 Gal Gemini® Square Tank	02-31760	\$946
Steel Dolly w/Casters, for 20 Gal Gemini® Square Tank	02-31761	\$1,02
Steel Dolly w/Casters, for 40 Gal Gemini® Square Tank	02-31762	\$1,06
Steel Dolly w/Casters, for 70 Gal Gemini® Square Tank	02-31763	\$1,18
Steel Dolly w/Casters, for 120 Gal Gemini® Square Tank	02-31764	\$1,37

Dollies with Casters for Open Top Tanks		
Description	Part #	List \$
Steel Dolly w/Casters, for 5 Gallon Open Top	02-31765	\$916.88
Steel Dolly w/Casters, for 10 & 15 Gallon Open Top	02-31766	\$972.72
Steel Dolly w/Casters, for 30 Gallon Open Top	02-31767	\$1,028.68
Steel Dolly w/Casters, for 55 & 80 Gallon Open Top	02-31768	\$1,182.08
Steel Dolly w/Casters, for 100 Gallon Open Top	02-31769	\$1,554.00
Steel Dolly w/Casters, for 150 Gallon Open Top	02-31770	\$1,734.80
Steel Dolly w/Casters, for 200 Gallon Open Top	02-31771	\$2,273.68
Steel Dolly w/Casters, for 300, 400, & 500 Gallon Open Top	02-31772	\$6,166.04



Products Price List

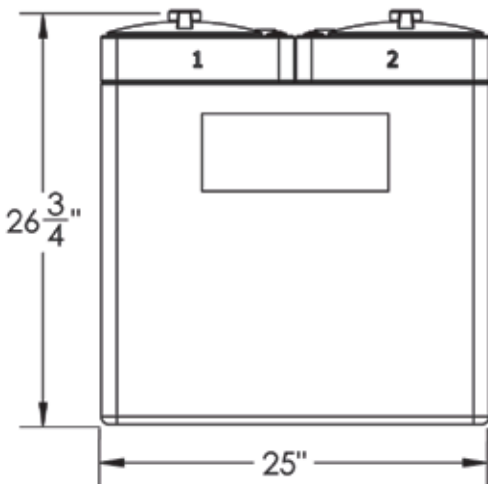
Gemini² MCU™ - Multiple Chemical Unit

NEW - STORE MULTIPLE CHEMICALS IN A SINGLE, MULTI-COMPARTMENT DUAL CONTAINMENT TANK.

NEW! Configure two, three, or four different liquids in one compact space, with 2 separate containment chamber that is as flexible as you need it to be. The new Gemini² MCU™ (Multiple Chemical Unit) has individual primary Tanks available in 6 and 12-gallon sizes. Configure your tank with (2) 12-gallon tanks, (1) 12-gallon and (2) 6-gallon tanks or (4) 6-gallon tanks, all in one compact space. Great for Biocide/Inhibitor set-ups, Pool Chemical feed systems or any other application where you require multiple chemicals with limited space for storage.

An optional overhead PumpDeck™ can be integrally mounted to the MCUTM with room for up to 4 metering pumps. The PumpDeck™ is designed to contain pump drips or minor spills that will drain back into the correct tank and can also be equipped with an alarm that will warn you of leaks in both the shelf and/ or the interstitial space before it's a problem.

- Takes up only a 25" square footprint of space x 27" in height (excluding PumpDeck™)
- Can be configured for 2, 3, or 4 containers
- An overhead PumpDeck™ option is available
- Tank and PumpDeck™ leak detection system is available with flashing strobe and audible alarm
- An optional funnel is also available for easy filling from a pail or carboy
- Available in LLDPE, XLPE, PPL or PVDF for a wide range of chemical compatability
- Standard unit provided with a combination of blue and natural tanks for easy chemical identification; Other colors also available for each tank



Assembly #2
PN 01-32011

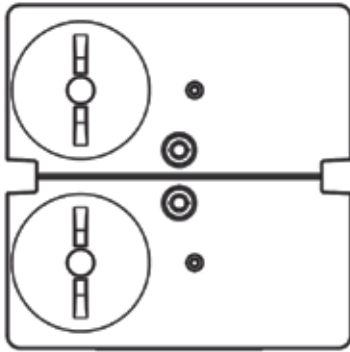


Showing w/Optional
ProChem™ ClamShell Funnel
PN 02-31951



Showing w/Optional
MCU™ PumpDeck™
PN 02-31940

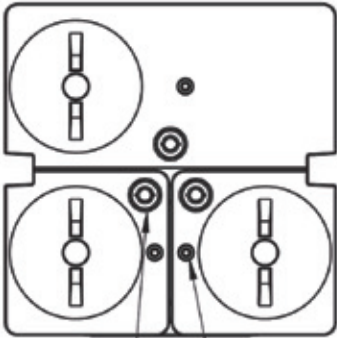
Assembly #3
PN 01-32012



Assembly #1 PN 01-32010 | (2) 12 Gallon Tanks

Option with PumpDeck™ **\$1061**
 Without PumpDeck™ **\$774**

This model consists of (2) 12 Gallon Primary Tanks in Isolated Secondary Containment Chambers. Optional colors of each tank may be selected by part number below. For model with PumpDeck, add PumpDeck part number.

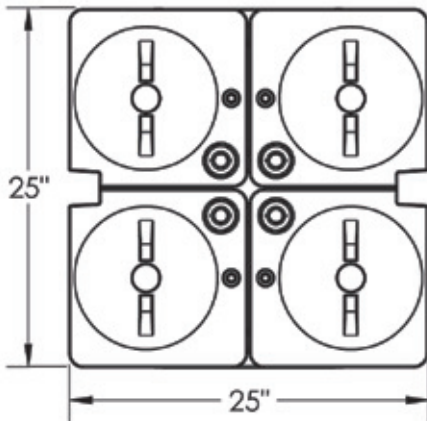


Assembly #2 PN 01-32011 | (1) 12 Gallon and (2) 6 Gallon Tanks

Option with PumpDeck™ **\$1156**
 Without PumpDeck™ **\$869**

This model consists of (1) 12 Gallon and (2) 6 Gallon Primary Tanks in (2) Isolated Secondary Containment Chambers. Optional colors of each tank may be selected by part number below. For model with PumpDeck, add PumpDeck part number.

SECONDARY TANK ACCESS PUMP SUCTION CONNECTION



Assembly #3 PN 01-32012 | (4) 6 Gallon Tanks

Option with PumpDeck™ **\$1251**
 Without PumpDeck™ **\$964**

This model consists of (4) 6 Gallon Primary Tanks in (2) Isolated Secondary Containment Chambers. Optional colors of each tank may be selected by part number below. For model with PumpDeck, add PumpDeck part number.

Don't forget to order your ProChem ClamShell Funnel for easy filling of your Gemini² MCU Tanks.

Individual MCU Tank and Component Part Numbers

Item	Blue	Natural	Dia x Hgt	Wt (lbs)	List \$
MCU Outer Containment Tank	01-32008	01-32009	25" x 25" x 22"	38	\$375.00
MCU 12 Gallon Primary Tank	01-31891	01-31898	12.5" x 6.25" x 24"	14	\$179.00
MCU 6 Gallon Primary Tank Left	01-31892	01-31899	6.25" x 6.25" x 24"	7	\$142.00
MCU 6 Gallon Primary Tank Right	01-31893	01-31900	6.25" x 6.25" x 24"	7	\$142.00

Note: Other colors available. Call for details.

Optional Accessories

Item	Color	Wt (lbs)	Part #	List \$
MCU PumpDeck™	Black	17	02-31940	\$287.00
ProChem® ClamShell 4-6" Funnel	Black	5	02-31977	\$59.00
ProChem® ClamShell 8" Funnel	Black	5	02-31951	\$59.00



Assembly #1
 PN 01-32010

Products Price List

ProChem® ClamShell Funnel

NEW - Transfer chemicals safely and efficiently from D.O.T. pails, Jeri cans and buckets into your Gemini and ProChem storage tanks with the new "ProChem ClamShell Funnel".

Item	Color	Fits Lid	Wt (lbs)	Part #	List \$
ProChem® ClamShell Funnel	Black	4" - 6"	5	02-31977	\$59.00
ProChem® ClamShell Funnel	Black	8"	5	02-31951	\$59.00

**other colors and materials of construction available on request*



- Constructed from durable light weight LLDPE linear polyethylene
- Designed to snugly fit any of our tanks that have 8" twist lids, including Gemini cylindricals, Gemini Squares, ProChem single wall tanks, ProChem closed top tanks, and others
- Highly chemical resistant
- Comes standard in black to hide dirt and stains
- Scalloped clamshell design with integral molded-in ridges to direct flow toward the tank opening and help reduce splashing
- Molded-in top internal rim flange "splash-guard" to further reduce potential for splashing
- Integral molded-in nozzle easily fits into 8" twist lids
- Integral molded-in support lugs hold the funnel securely in place once installed and allows for easy removal when finished
- Smooth inner surface allows for efficient flow of product from pail or bucket into tank and easy clean-up after filling
- Low cost, so all of your operators and sales force can always have one or more on hand

3P Weather-Resistant Document Protector

NEW - Place your Chemical Identification Placards and other documentation on your tanks – Safely and Securely.

Peabody Engineering's new 3P Document Protector is a safe, simple and secure way to label your Gemini™, ProChem™ and other chemical tanks with required chemical labeling, company info and any other important information required.

Description	Qty	Part #	List \$
Placard Protector 10" x 13"	Pack of 25	02-31945	\$123.50
Placard Protector, Single Use, 10" x 14.75" + 1.5" lip	Pack of 25	02-31960	\$123.50



ProChem® PailVault™

NEW - Protect your chemicals in 5-gallon pails from costly and harmful spills with Peabody Engineering's ProChem® PailVault™, a modular chemical resistant containment enclosure that exceeds EPA's 40CFR regulations on secondary containment requirements. The PailVault's rotationally molded linear polyethylene construction provides a durable enclosure that keeps your chemicals safe and secure from chemical spills, which can cause workplace injuries and costly environmental clean-up.

🔹 Rugged Chemical-Resistant LLDPE Construction for years of trouble-free service (Other materials available)

🔹 Modular design allows for multiple units of safe, isolated containment enclosures

🔹 Over 120% containment in each module for safe, EPA-compliant storage of 30 gallons

🔹 UV and weather-resistant for long service life in direct sunlight and outdoor exposure

🔹 Integral pump suction port connection available

🔹 Optional Rigid suction tube with foot valve and tubing connection

🔹 Each unit fits (1) 5-gallon pail, JeriCan or other small container

🔹 Locking cover option with tamper-proof security screws

🔹 Lightweight - Only weighs 12 lbs - easily handled by one person

🔹 Compact Design - Measures 20" x 13.75" x 24" - fits in tight spaces

🔹 Rated for temperatures up to 140 degrees F

🔹 Can be bolted to floor or other flat surface

🔹 Optional Leak-detection alarm

🔹 Available in choice of colors

🔹 Custom Company Logos available

Description	Part #	Price
ProChem® PailVault™ - Standard - Blue	253-32014	\$155.75
ProChem® PailVault™ - Standard - Natural	253-32015	\$155.75
ProChem® PailVault™ - Deluxe* - Blue	253-32362	\$165.75
ProChem® PailVault™ - Deluxe* - Natural	253-32363	\$165.75

*Deluxe includes (3) grommets and (1) 3P Doc Protector

Optional Items	Part #	Price
PailVault™ Connecting Ring Black	02-32001	\$38.85
PailVault™ Suction Portal	02-32002	\$12.50
PailVault™ Pump Suction Tube Ass'y	02-31948	\$98.00
PailVault™ Cover Locking Kit	02-32003	\$28.95
PailVault™ Anchor Clip Hold Down Kit	02-32359	\$19.95



Pump and Control Mount Bracket

Description	Item	List \$
Pump and Control Mount Bracket	02-31439	\$46.60



Fiberglass Pump Enclosure Stand

Description	Height	Wt (lbs)	Item	List \$
Fiberglass Pump Enclosure Stand - PCS1	24"		253-31442	\$345.00
Fiberglass Pump Enclosure Stand - PCS2.1	24"		253-31441	\$395.00
Fiberglass Pump Enclosure Stand - PCS3	24"		253-31440	\$525.00



Products Price List

Bolted Lids for Open Top Tanks

Peabody offers several options for lids on your Open Top tanks. We can add a stainless steel or plastic hinge to your polyethylene lid. If you would like one side to be bolted down and the other open, we can add stainless steel or plastic bolts to the half that stays closed. Add a handle as an option.

Pricing below is for Stainless Steel. Plastic available call for pricing

Bolted Lids for Open Top Tanks						
PE Natural			Bolted Lids		Bolted Hinged Lids	
Thickness	Width	Gallons	Part #	List \$	Part #	List \$
1/4"	16"	5GAL	02-31606	\$417.76	02-31617	\$567.76
1/4"	19"	10GAL	02-31607	\$427.40	02-31618	\$577.40
1/4"	19"	15GAL	02-31608	\$427.40	02-31619	\$577.40
1/2"	22"	30GAL	02-31609	\$625.65	02-31620	\$775.65
1/2"	28"	55GAL	02-31610	\$827.01	02-31621	\$977.01
1/2"	34"	100GAL	02-31611	\$989.22	02-31622	\$1,169.22
1/2"	34"	150GAL	02-31612	\$989.22	02-31623	\$1,169.22
1/2"	38"	200GAL	02-31613	\$1,314.46	02-31624	\$1,494.46
1/2"	53"	300GAL	02-31614	\$1,694.65	02-31625	\$1,874.65
1/2"	53"	400GAL	02-31615	\$1,694.65	02-31626	\$1,874.65
1/2"	53"	500GAL	02-31616	\$1,694.65	02-31627	\$1,874.65

PE Handle

Part #	List \$
02-31628	\$122.80





Open Top Cylindrical Tanks - HDPE, XLPE, *PPL, *PVDF Tanks come with Lid

Description	Shell D x OAH	Lid D	Wt (lbs)	HDPE	List \$	XLPE	List \$
5 Gal Open Top Tank Natural	12" x 15"	16"	6	01-30631	\$46.88	01-30643	\$60.54
10 Gal Open Top Tank Natural	15" x 18"	19"	8	01-30632	\$69.83	01-30644	\$87.79
10 Gal Special Nestable Tank (No Cover) ^	12" x 24"	14"	6	01-30633	\$63.83	01-30645	\$80.23
15 Gal Open Top Tank Natural	15" x 25.5"	19"	12	01-30634	\$79.81	01-30646	\$99.76
30 Gal Open Top Tank Natural	18" x 32.5"	22"	15	01-30635	\$129.69	01-30647	\$162.11
55 Gal Open Top Tank Natural	24" x 32.5"	28"	24	01-30636	\$199.44	01-30648	\$249.31
100 Gal Open Top Tank Natural	30" x 37.5"	34"	50	01-30637	\$389.67	01-30649	\$478.09
150 Gal Open Top Tank Natural	30" x 54.5"	34.5"	60	01-30638	\$515.09	01-30650	\$643.75
200 Gal Open Top Tank Natural	34" x 56.5"	38"	75	01-30639	\$625.28	01-30651	\$781.25
300 Gal Open Top Tank Natural	48" x 43.5"	53"	100	01-30640	\$795.33	01-30652	\$993.75
400 Gal Open Top Tank Natural	48" x 56.5"	53"	130	01-30641	\$1,102.49	01-30653	\$1,378.12
500 Gal Open Top Tank Natural	48" x 70.5"	53"	160	01-30642	\$1,395.84	01-30654	\$1,744.80

* For PPL Tanks, multiply HDPE Price x 2; For PVDF Tanks, Multiply HDPE Price x 15



Vertical Closed Top Tanks - HDPE, XLPE, *PPL, *PVDF

Description	Shell D x Lid D x OAH	Lid Size	Wt (lbs)	HDPE	List \$	XLPE	List \$
5 Gal Closed Top Tank Natural	12" x 16" x 19"	8"	9	01-30655	\$96.94	01-30666	\$111.81
10 Gal Closed Top Tank Natural	15" x 19" x 22"	8"	12	01-30656	\$119.78	01-30667	\$138.74
15 Gal Closed Top Tank Natural	15" x 27.5" x 29.5"	8"	16	01-30657	\$129.75	01-30668	\$150.20
30 Gal Closed Top Tank Natural	18" x 22" x 36.5"	8"	20	01-30658	\$180.64	01-30669	\$212.06
55 Gal Closed Top Tank Natural	24" x 28" x 36.5"	8"	30	01-30659	\$250.39	01-30670	\$299.25
100 Gal Closed Top Tank Natural	30" x 34" x 41.50"	8"	60	01-30660	\$430.83	01-30671	\$528.03
150 Gal Closed Top Tank Natural	30" x 34" x 58.5"	8"	75	01-30661	\$565.04	01-30672	\$7,694.32
200 Gal Closed Top Tank Natural	34" x 38" x 60.5"	16"	95	01-30662	\$693.44	01-30673	\$849.04
300 Gal Closed Top Tank Natural	48" x 53" x 47.5"	16"	112	01-30663	\$863.48	01-30674	\$1,062.09
400 Gal Closed Top Tank Natural	48" x 53" x 60.5"	16"	145	01-30664	\$1,171.65	01-30675	\$1,446.06
500 Gal Closed Top Tank Natural	48" x 53" x 74.5"	16"	175	01-30665	\$1,464.01	01-30676	\$1,813.75

* For PPL Tanks, multiply HDPE Price x 2; For PVDF Tanks, Multiply HDPE Price x 15

Gemini ChemFeed Bin™

Description	Capacity	L x W x H	Wt (lbs)	Dark Grey	List \$
ChemFeed™ Bin - Small	107	66" x 35.25" x 19.5"	75	02-30681	\$541.83



Products Price List



Pump Containment Enclosures - PCS

Description	L x W x H	Wt (lbs)	Blue	List \$	Natural	List \$
1 Pump Enclosure - w/Cover - No Divider	15" x 18.25" x 22.5"	18	253-31744	\$399.95	253-31745	\$399.95
2.1 Pump Enclosure - w/Cover - w/Divider	22" x 18.5" x 22"	26	253-30692	\$503.45	253-30693	\$503.45
2.1 Pump Enclosure - w/Cover - No Divider	22" x 18.5" x 22"	26	253-31026	\$459.24	253-31027	\$459.24
3 Pump Enclosure - w/Cover - w/Divider	35" x 23" x 28"	58	253-30694	\$1,150.08	253-30695	\$1,150.08
3 Pump Enclosure - w/Cover - No Divider	35" x 23" x 28"	58	253-31028	\$1,123.55	253-31029	\$1,123.55

Pump Turtle

Description	L x W x H	Wt (lbs)	Green	List \$
Pump Turtle - 1 Pump Enclosure	18.75" x 18" x 19"	10	253-31746	\$299.00



Pump Containment Enclosure - Optional Accessories

Description	Installed	Wt (lbs)	PCS2.1	List \$	PCS3	List \$
Pump Controller Mounting Pad Kit (Black Polyethylene)	Yes	2	253-30696	\$12.63	253-30698	\$18.95
Weather Strip Gasket Seal for PCS (Shipped Loose)	No	1	253-30697	\$16.84	253-30699	\$31.58
Pump Shelf Security Fastener Kit for PCS2.1 or PCS3		1	253-30924	\$24.25	253-30925	\$28.95
Pump Shelf Security Bolt		1	253-30922	\$4.85	253-30922	\$4.85
Pump Shelf Security Bolt Tool		1	253-30923	\$19.95	253-30923	\$19.95



Pump Watchman for PCS

Protect your PCS Pump Containment Enclosure from accidental discharge. Stay in compliance with our low cost leak detection sensor to protect your investment and the environment.

- Normally open or normally closed switch contacts- field adjustable
- Can be used as a switch to activate a strobe, relay, or an audible alarm
- Polypropylene construction, works with almost any liquid
- Mounted in the containment portion of your pump shelf
- Provides early detection of a leak on the containment enclosure
- Very cost effective
- Wires are routable through side ports
- An alarm controller is available

Description	Part #	List
Pump Watchman for PCS	253-31939	\$125.00



Description	Part #	List \$
Pump Watchman Strobe Alert Controller	24-31947	\$327.00

Pump Watchman Strobe Alert Controller

Seismic FiberRing for Gemini Tanks

	Wt (lbs)	Non-Code PN	List \$	Code PN	List \$
Gemini® 15 Gallon	22	02-30122	\$402.00	02-32296	\$600.00
Gemini® 20 Gallon	22	02-29282	\$423.00	02-32297	\$632.00
Gemini® 40 Gallon (Flat)	34	02-31013	\$607.00	02-32298	\$906.00
Gemini® 40 Gallon (Dome)	35	02-32294	\$609.00	02-32299	\$909.00
Gemini® 62 Gallon	39	02-30352	\$652.00	02-32300	\$973.00
Gemini® 65 Gallon	47	02-30729	\$806.00	02-32301	\$1,203.00
Gemini® 90 Gallon	50	02-31014	\$920.00	02-32302	\$1,346.00
Gemini® 120 Gallon	55	02-31015	\$980.00	02-32303	\$1,462.00
Gemini® 160 Gallon	81	02-31016	\$1,274.00	02-32304	\$1,902.00
Gemini® 220 Gallon	79	02-31017	\$1,428.00	02-32305	\$2,131.00
Gemini® 320 Gallon	99	02-31018	\$1,554.00	02-32306	\$2,320.00
Gemini® 500 Gallon	133	02-31019	\$2,393.00	02-32307	\$3,572.00

	Wt (lbs)	Non-Code PN	List \$	Code PN	List \$
Gemini® Squared 5 Gallon	13	02-32295	\$241.00	02-32308	\$360.00
Gemini® Squared 10 Gallon	17	02-31020	\$326.00	02-32309	\$486.00
Gemini® Squared 20 Gallon	24	02-31021	\$422.00	02-32310	\$630.00
Gemini® Squared 40 Gallon	37	02-31022	\$640.00	02-32311	\$955.00
Gemini® Squared 70 Gallon	48	02-30420	\$811.00	02-32312	\$1,211.00
Gemini® Squared 120 Gallon	69	02-31023	\$1,147.00	02-32313	\$1,712.00



Aquarius Tapered Chemical Feed Tanks

Description	Dia x H	Wt (lbs)	Blue	List \$	Natural	List \$
30 Gal Aquarius Tank 3/16" Wall	27" x 21.5"	16	01-30684	\$134.13	01-30688	\$128.29
30 Gal Aquarius Tank HD 5/16" Wall	27" x 21.5"	23	01-30685	\$167.66	01-30689	\$160.38
55 Gal Aquarius Tank 3/16" Wall	27" x 35.5"	19	01-30686	\$186.61	01-30690	\$174.95
55 Gal Aquarius Tank HD 5/16" Wall	27" x 35.5"	26	01-30687	\$233.27	01-30691	\$218.69



Auto Detail/Graffiti Removal Tank

Description	L x W x H	Wt (lbs)	Part #	List \$
330 Gallon HDPE Auto Detail/Graffiti Removal Tank	50" x 43" x 43.25"	140	01-30700	\$841.00
Call to specify what size OD Lid needed 8" or 18".				



Quick Coupler

Description	Part #	List \$
1" QCA Quick Coupler Adaptor (installed)	02-28379	\$69.34
1" QCA Dry-Disconnect Male Quick Coupler Adaptor For Fill Line (installed)	10-25910	\$183.18
1" QCA Dry-Disconnect Female Quick Coupler Adaptor For Fill Line (installed)	10-25908	\$201.40



Products Price List

ProChem® Tanks - *NEW*

Description	Lid Size	Dia x Hgt	Wt (lbs)	Natural	List \$
25 Gal ProChem® Tank	8"	19.5" x 26.25"	15	01-31747	\$145.00
50 Gal ProChem® Tank	8"	19.5" x 47.25"	24	01-31748	\$188.00
75 Gal ProChem® Tank	8"	27" x 40"	29	01-31749	\$255.00
100 Gal ProChem® Tank	8"	27" x 47.75"	34	01-31750	\$260.00
125 Gal ProChem® Tank	8"	27" x 59.25"	42	01-31751	\$295.00
175 Gal ProChem® Tank	8"	34" x 55"	50	01-31753	\$349.00
200 Gal ProChem® Tank	16"	34" x 61"	52	01-31754	\$405.00
300 Gal ProChem® Tank	16"	48" x 51.5"	72	01-31756	\$525.00



ProChem® Containment Basin - *NEW*

Description	Holds Tank Size	Base L x W	Top L x W	H	Part #	List \$	FRP Grating Base	List \$
ProChem® Basin - 33.5 Gallon	25	24" x 24"	31" x 31"	14	253-31629	\$209.00	02-31826	\$299.00
ProChem® Basin - 66 Gallon	50	24" x 24"	34" x 34"	24	253-31630	\$280.00	02-31826	\$299.00
ProChem® Basin - 67 Gallon	(2x) 25/50	24" x 48"	32" x 56"	14	253-31631	\$299.00	02-31827	\$429.00
ProChem® Basin - 111 Gallon	75/100	36" x 36"	42" x 42"	20	253-31632	\$329.00	02-31828	\$429.00
ProChem® Basin - 110 Gallon	(2x) 75/100	36" x 60"	42" x 66"	13	253-31633	\$390.00	02-31829	\$529.00
ProChem® Basin - 182 Gallon	125	36" x 36"	45" x 45"	30	253-31695	\$457.00	02-31828	\$462.00
ProChem® Basin - 220 Gallon	175/200	40" x 40"	49" x 49"	30	253-31634	\$487.00	02-31830	\$601.00
ProChem® Basin - 400 Gallon	300	54" x 54"	62" x 62"	32	253-31635	\$747.00	02-31831	\$1,301.40

Tank Accessories

Description	Wt (lbs)	SST/PE	List \$	PVDF	List \$
Level Gauge for Gemini® 15	1	02-1083	\$115.79	02-1082	\$446.32
Level Gauge for Gemini® 20	1	02-1085	\$115.79	02-1084	\$446.32
Level Gauge for Gemini® 40 (Dome & Flat)	1	02-1089	\$115.79	02-1088	\$446.32
Level Gauge for Gemini® 62	1	02-1093	\$115.79	02-1092	\$446.32
Level Gauge for Gemini® 65	1	02-30790	\$115.79	02-30792	\$446.32
Level Gauge for Gemini® 90	1	02-30791	\$115.79	02-30793	\$446.32
Level Gauge for Gemini® 120	1	02-1081	\$115.79	02-1080	\$484.21
Level Gauge for Gemini® 160	1	02-29965	\$197.89	02-29966	\$505.26
Level Gauge for Gemini® 220	1	02-25760	\$147.37	02-26532	\$484.21
Level Gauge for Gemini® 320	1	02-25761	\$147.37	02-26533	\$484.21
Level Gauge for Gemini® 500	1	02-25762	\$197.89	02-26534	\$505.26

Description	Wt (lbs)	SST/PE	List \$	PVDF	List \$
Level Gauge for Gemini ² ® 10	1	02-29967	\$115.79	02-29968	\$446.32
Level Gauge for Gemini ² ® 20	1	02-29790	\$115.79	02-29789	\$446.32
Level Gauge for Gemini ² ® 40	1	02-29969	\$115.79	02-29970	\$446.32
Level Gauge for Gemini ² ® 70	1	02-29971	\$115.79	02-29972	\$446.32
Level Gauge for Gemini ² ® 120	1	02-30794	\$115.79	02-30795	\$446.32

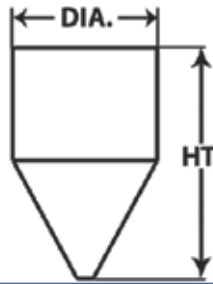


Cone Bottom Tanks - TD Series

Cone bottom open top tanks have a 60° slope at the cone bottom. Available standard in natural polyethylene. TD Series Cone Bottom Tanks are solid/closed top; if you would like a lid please see the section below or the 'Tank Lids' on page 11. TD Series tanks do not come with fittings, but they may be installed at additional cost.

XLPE and PVDF tanks available.

~ Indicates item may ship UPS Oversize.



Description	Dimension Dia x Ht x Shell	Bottom Slope (°)	Wall Thk	Wt (lbs)	LDPE Natural		PPL Natural	
					Part #	List \$	Part #	List \$
19 Gal Cone Bottom Tank ~	16.5" x 30" x 18"	60	1/4"	16	01-1240	\$123.27	01-27147	\$198.76
25 Gal Cone Bottom Tank ~	18.25" x 32" x 18"	60	1/4"	18	01-1247	\$135.28	01-27148	\$218.47
40 Gal Cone Bottom Tank ~	23.25" x 37.25" x 18"	60	1/4"	25	01-1259	\$245.61	01-27151	\$378.67
40 Gal Cone Bottom Tank - Tall	20.75" x 40" x 24"	60	1/4"	25	01-1261	\$247.18	01-27150	\$379.00
98 Gal Cone Bottom Tank	33.25" x 44.75" x 18"	60	1/4"	40	01-1278	\$385.97	01-27154	\$620.78
101 Gal Cone Bottom Tank	24.5" x 67.75" x 48.25"	60	1/4"	41	01-1228	\$502.72	01-27156	\$774.17

Lids for Cone Bottom Tanks - TD Series

~ Indicates item may ship UPS Oversize.

* Bolted cover comes with PVC bolts, and PVC gasket



Description	Wt (lbs)	Shoebox Covers		Shoebox Hinged Covers		Flat Bolted Covers*		Flat Hinged	
		Part #	List \$	Part #	List \$	Part #	List \$	Part #	List \$
19 Gal Cone Bottom Tank Cover	2	02-27240	\$16.79	02-27249	\$231.77	02-27264	\$302.49	02-31038	\$524.26
25 Gal Cone Bottom Tank Cover	2	02-27241	\$44.75	02-27250	\$258.48	02-27265	\$348.86	02-31039	\$597.09
40 Gal Cone Bottom Tank Cover	4	02-27243	\$46.40	02-27253	\$269.40	02-27268	\$354.51	02-31040	\$613.91
40 Gal Cone Bottom Tank Cover - Tall	4	02-27242	\$46.40	02-27252	\$269.40	02-27267	\$354.51	02-31041	\$613.91
98 Gal Cone Bottom Tank Cover	5	02-27245	\$51.19	02-27256	\$277.20	02-27271	\$382.37	02-31042	\$659.57
101 Gal Cone Bottom Tank Cover	5	02-27244	\$46.40	02-27258	\$269.40	02-27273	\$354.51	02-31043	\$613.91

Stands for Cone Bottom Tanks - TD Series

Stands are available in mild steel or stainless steel. Stands are built to exact tank specifications to ensure a secure holding of your tank. Stand raises tank off of ground to allow for bottom draining and connection hook up. Feet have bolt holes to allow tank stand to be bolted into place for added stability. Stands are available with or without agitator bracket. 18" (nom.) bottom clearance.



Description	Wt (lbs)	Without Agitator Bracket				With Agitator Bracket			
		Painted Mild Steel		Stainless Steel		Painted Mild Steel		Stainless Steel	
		Part #	List \$	Part #	List \$	Part #	List \$	Part #	List \$
19 Gal Cone Bottom Tank Stand	40	02-27291	\$391.66	02-31044	\$687.12	02-31050	\$641.66	02-31056	\$1,180.00
25 Gal Cone Bottom Tank Stand	45	02-27292	\$459.55	02-31045	\$806.23	02-31051	\$709.55	02-31057	\$1,300.00
40 Gal Cone Bottom Tank Stand	45	02-27294	\$501.62	02-31046	\$880.04	02-31052	\$751.62	02-31058	\$1,380.00
40 Gal Cone Bottom Tank Stand - Tall	45	02-27293	\$501.62	02-31047	\$880.04	02-31053	\$751.62	02-31059	\$1,380.00
98 Gal Cone Bottom Tank Stand	50	02-27296	\$656.87	02-31048	\$1,152.40	02-31054	\$906.87	02-31060	\$1,650.00
101 Gal Cone Bottom Tank Stand	56	02-27295	\$622.39	02-31049	\$1,091.91	02-31055	\$872.39	02-31061	\$1,590.00

Products Price List

Gemini Double Wall Fittings

Bulkhead Dual Sidewall Interconnect Fitting					Welded Dual Interconnect Sidewall Fitting			
Size	Connection Type: FPT				Connection Type: FPT		Connection Type: FLG	
	PVC/EPDM	List \$	PVC/Viton	List \$	PE	List \$	PE/Ring Mat PVC	List #
1/2"	02-28850	\$120.00	02-28855	\$144.00	02-28179	\$1,027.00	-	-
3/4"	02-28851	\$125.00	02-28856	\$150.00	02-28180	\$1,027.00	02-28640	\$1,193.00
1"	02-28852	\$125.00	02-28857	\$154.00	02-28181	\$1,040.00	02-28185	\$1,211.00
2"	02-28853	\$178.00	02-28858	\$228.00	02-28182	\$1,307.00	02-28186	\$1,612.00
3"	02-28854	\$266.66	02-28859	\$373.00	02-28183	\$1,530.00	02-28187	\$2,026.00
4"	-	-	-	-	02-28184	\$1,954.00	02-28188	\$2,465.00

Please call customer service to determine what size fitting will fit on your double wall tank.
Prices listed include installation.

Gemini Suction Tube Assembly - **NEW**

Description	Part #	List \$
1/4" OD PPL Tube Fittings on Rigid 1/4" PVC Suction Pipe with PVDF Foot Valve and 2" Top Plug	02-31800	\$100.00
3/8" OD PPL Tube Fittings on Rigid 1/4" PVC Suction Pipe with PVDF Foot Valve and 2" Top Plug	02-31801	\$100.00



QCA Tank Fill Quick Connect Assembly

Description	Part #	List \$
3/4" Male Quick Connect with Cap - 90° w/o Elbow	02-31802	\$69.34
3/4" Female Quick Connect with Plug - 90° with Elbow	02-31781	\$70.00
1" Male Quick Connect with Cap - 90° w/o Elbow	02-28379	\$69.34
1" Female Quick Connect with Plug - 90° with Elbow	02-31778	\$72.00
2" Male Quick Connect with Cap - 90° w/o Elbow	02-28380	\$70.00
2" Female Quick Connect with Plug - 90° with Elbow	02-31779	\$75.00



Showing Female Connection

Gemini Replacement Parts

Description	Part #	List \$
Suction Tube Grommet with Plug 1/4" Tube Size	02-31805	\$10.00
Suction Tube Grommet with Plug 3/8" Tube Size	02-31806	\$10.00
1/4" Red PE Plug w/EPDM O-Ring	02-28825	\$2.00
3/4" PE Plug	02-31803	\$3.00
1" PE Plug	02-28779	\$4.00
2" PE Plug	02-28780	\$5.00
8" Twist Lid	02-127	\$25.15
16" Twist Lid	02-151	\$36.32
PE Tank Lid Tether	02-31777	\$4.00



Tank Fittings and Nozzles

Welded Couplings - Polyethylene

Made from 100% virgin, UV-resistant black polyethylene, our threaded couplings are the best choice for your demanding applications. Since they are welded into your tank, no gaskets are necessary, making them virtually maintenance free. Available in Full (Thd) or Half (Thd) Coupling configuration.

Price below includes installation in Single Wall Tanks. Double Wall installation price on request. For loose part (part without installation) please call.



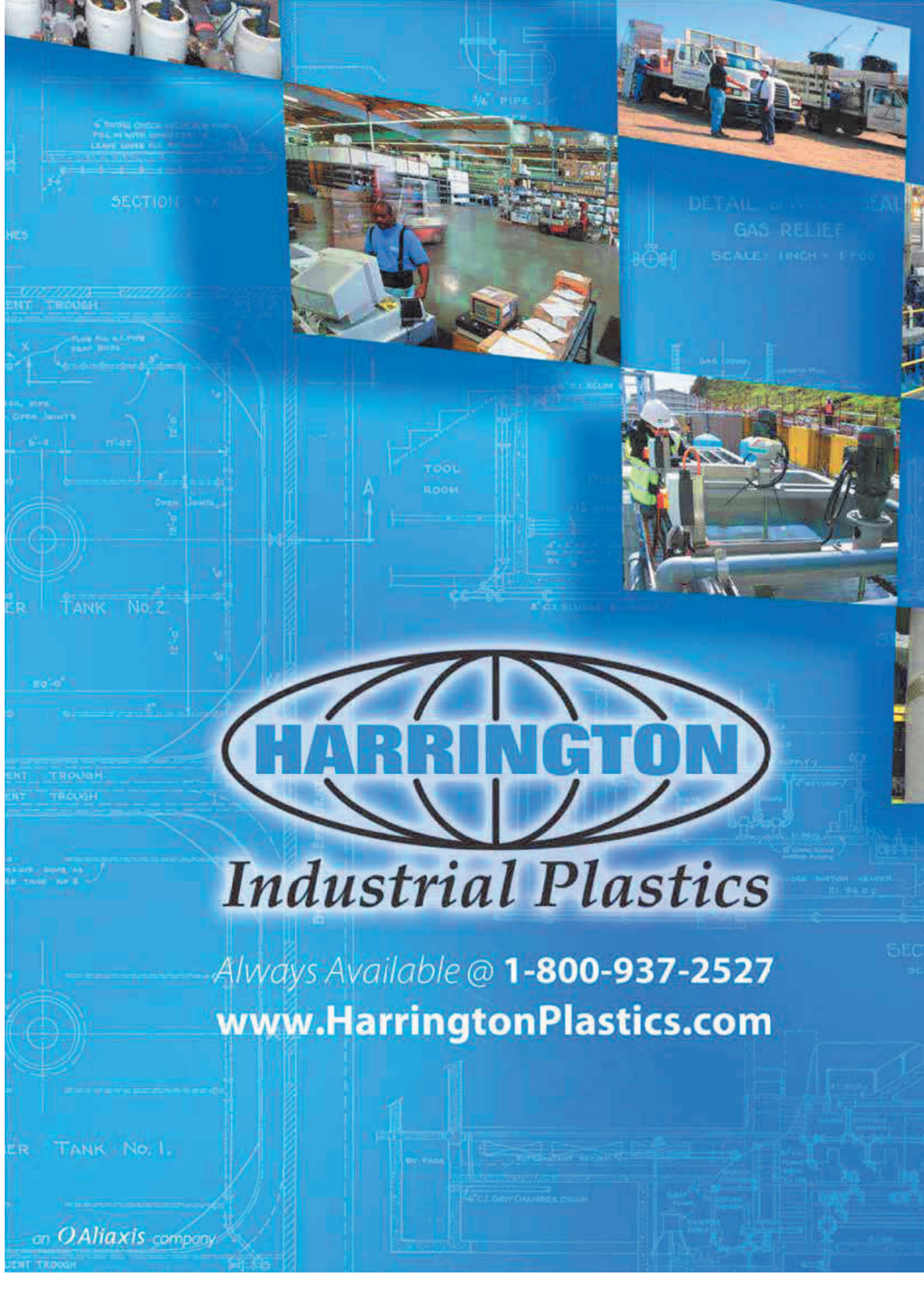
Description	Wt (lbs)	HD Polyethylene		Polypropylene	
		Part #	List \$	Part #	List \$
1/2" Full Coupling	1	02-15074	\$410.91	02-27310	\$300.34
3/4" Full Coupling	1	02-15075	\$410.91	02-27311	\$337.28
1" Full Coupling	1	02-15076	\$415.39	02-27312	\$346.29
1-1/4" Full Coupling	1	02-15077	\$468.67	02-27313	\$373.33
1-1/2" Full Coupling	1	02-15078	\$515.82	02-27314	\$398.60
2" Full Coupling	2	02-15079	\$522.89	02-27315	\$396.61
3" Full Coupling	3	02-15080	\$611.78	02-27316	\$519.77
4" Full Coupling	3	02-15081	\$781.51	02-27317	\$564.43
1/2" Half Coupling	1	02-15066	\$348.20	02-27302	\$262.82
3/4" Half Coupling	1	02-15067	\$348.20	02-27303	\$281.29
1" Half Coupling	1	02-15068	\$363.52	02-27304	\$285.80
1-1/4" Half Coupling	1	02-15069	\$376.96	02-27305	\$299.31
1-1/2" Half Coupling	1	02-15070	\$400.53	02-27306	\$311.94
2" Half Coupling	1	02-15071	\$405.24	02-27307	\$334.85
3" Half Coupling	2	02-15072	\$501.67	02-27308	\$453.98
4" Half Coupling	3	02-15073	\$587.02	02-27309	\$484.77

Welded Flanges - Polyethylene

Welded Polyethylene Flanges are designed for demanding applications where a bolted connection is necessary. Great for use with butterfly valves, expansions joints and any application where a permanent gasketless tank wall connection is desired. PVC Flange Rings are Van-Stone style so ring can be rotated to line up with companion flange. Flanges 2" and above include plate gussets for maximum strength. Price includes installation. Larger sizes available - call for pricing.



Description	Wt (lbs)	# of Gussets	Part #	List \$
1/2" Welded Flange with Ring with Ring	1	4	02-15090	\$321.45
3/4" Welded Flange with Ring	1	4	02-15091	\$331.20
1" Welded Flange with Ring	2	4	02-15092	\$341.85
1-1/2" Welded Flange with Ring	2	4	02-15094	\$437.02
2" Welded Flange with Ring	3	4	02-15095	\$611.66
3" Welded Flange with Ring	4	4	02-15096	\$992.51
4" Welded Flange with Ring	4	4	02-15097	\$1,025.15
6" Welded Flange with Ring	10	4	02-15098	\$1,317.15
8" Welded Flange with Ring	12	6	02-15099	\$1,457.95



Industrial Plastics

Always Available @ 1-800-937-2527

www.HarringtonPlastics.com

an *Aliaxis* company