

CODE	ND1	ND2	ND3	D1	D2	D3	D4	D	L1	L2	L3	L	H1	H
27NTR252025	3/4"=> 25 mm	3/4"=> 25 mm	1/2"=> 20 mm	0.83	0.83	0.65	1.14	1.38	0.67	0.67	0.63	2.44	1.18	1.87
27NTR253225	3/4"=> 25 mm	3/4"=> 25 mm	1"=> 32 mm	0.83	0.83	0.83	1.81	1.81	0.67	0.67	0.79	2.91	1.49	2.40
27NTR322032	1"=> 32 mm	1"=> 32 mm	1/2"=> 20 mm	1.18	1.18	0.65	1.14	1.81	0.79	0.79	0.63	2.95	1.38	2.28
27NTR322532	1"=> 32 mm	1"=> 32 mm	3/4"=> 25 mm	1.18	1.18	0.83	1.38	1.81	0.79	0.79	0.67	2.95	1.38	2.28
27NTR402040	1"1/4"=>40 mm	1"1/4"=>40 mm	1/2"=> 20 mm	1.42	1.42	0.65	1.30	2.09	0.95	0.95	0.63	2.91	1.54	2.60
27NTR402540	1"1/4"=>40 mm	1"1/4"=>40 mm	3/4"=> 25 mm	1.42	1.42	0.83	1.30	2.09	0.95	0.95	0.79	2.91	1.54	2.60
27NTR403240	1"1/4"=>40 mm	1"1/4"=>40 mm	1"=> 32 mm	1.38	1.38	1.18	2.13	2.13	0.87	0.87	0.79	3.43	1.69	2.76
27NTR502050	1"1/2"=>50 mm	1"1/2"=>50 mm	1/2"=> 20 mm	1.85	1.85	0.65	1.69	2.60	1.02	1.02	0.63	3.43	1.85	3.15
27NTR502550	1"1/2"=>50 mm	1"1/2"=>50 mm	3/4"=> 25 mm	1.85	1.85	0.83	1.69	2.60	1.02	1.02	0.79	3.43	1.85	3.15
27NTR503250	1"1/2"=>50 mm	1"1/2"=>50 mm	1"=> 32 mm	1.85	1.85	1.18	1.69	2.60	1.02	1.02	0.79	3.43	1.85	3.15
27NTR504050	1"1/2"=>50 mm	1"1/2"=>50 mm	1"1/4"=>40 mm	1.69	1.69	1.42	2.60	2.60	0.91	0.91	0.87	4.02	1.97	3.27
27NTR632563	2" => 63 mm	2" => 63 mm	3/4"=> 25 mm	2.36	2.36	0.83	2.09	3.27	1.18	1.18	0.69	4.02	2.13	3.78
27NTR633263	2" => 63 mm	2" => 63 mm	1"=> 32 mm	2.36	2.36	1.18	2.09	3.27	1.18	1.18	0.83	4.02	2.13	3.78
27NTR634063	2" => 63 mm	2" => 63 mm	1"1/4"=>40 mm	2.36	2.36	1.42	2.09	3.27	1.18	1.18	0.91	4.02	2.13	3.78
27NTR635063	2" => 63 mm	2" => 63 mm	1"1/2"=>50 mm	1.97	1.97	1.81	3.15	3.15	0.98	0.98	1.02	4.80	2.52	4.09

**NIRON**



ITEM: **NTR**

DESC: REDUCED TEE - SOCKET FUSION



DRAWING No:

NI10139

SHEET OF

1 6

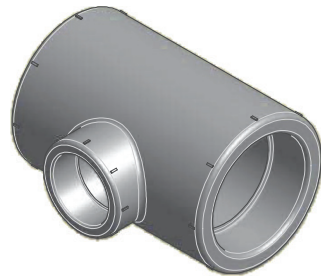
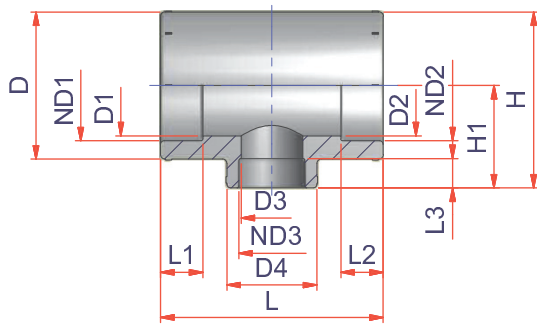
REV.

-1

www.nupiamerica.com - info@nupiamerica.com

All dimensions have to be considered in inches with 5% tolerance if not otherwise mentioned excluding values as per standard ASTM F2389

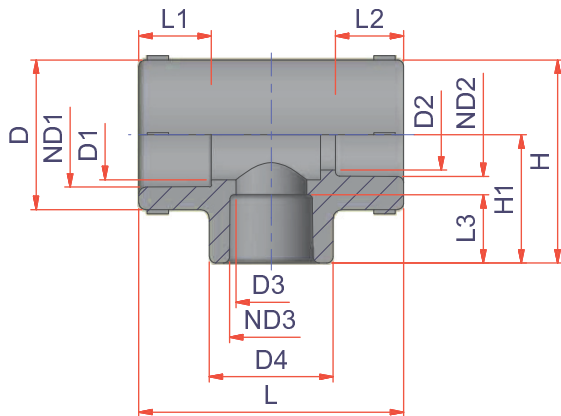
All right reserved - Drawing cannot be reproduced in anyway, failure todo so will entitle nupigeco to legal action. Information on this document are subject to change without notice



CODE	ND1	ND2	ND3	D1	D2	D3	D4	D	L1	L2	L3	L	H1	H
27NTR753275	2"1/2=>75 mm	2"1/2=>75 mm	1" => 32 mm	2.36	2.36	0.87	1.69	3.86	1.18	1.18	0.71	5.47	2.64	4.57
27NTR754075	2"1/2=>75 mm	2"1/2=>75 mm	1"1/4 =>40 mm	2.36	2.36	1.42	2.56	3.86	1.18	1.18	0.91	5.47	2.72	4.65
27NTR755075	2"1/2=>75 mm	2"1/2=>75 mm	1"1/2 =>50 mm	2.76	2.76	1.81	2.76	3.98	1.30	1.30	0.98	5.75	2.87	4.86
27NTR756375	2"1/2=>75 mm	2"1/2=>75 mm	2" => 63 mm	2.76	2.76	2.32	3.39	3.98	1.30	1.30	1.14	5.75	2.87	4.86
27NTR906390	3" => 90 mm	3" => 90 mm	2" => 63 mm	3.07	3.07	1.97	3.35	4.72	1.30	1.30	1.06	6.30	2.87	5.24
27NTR907590	3" => 90 mm	3" => 90 mm	2"1/2=>75 mm	3.43	3.43	2.80	4.49	4.49	1.46	1.46	1.30	6.57	3.27	5.51
27NTR11063110	4"=>110 mm	4"=>110 mm	2" => 63 mm	3.94	3.94	2.32	3.39	5.75	1.69	1.69	1.30	7.87	3.94	6.81
27NTR11075110	4"=>110 mm	4"=>110 mm	2"1/2=>75 mm	3.94	3.94	2.72	3.98	5.75	1.69	1.69	1.30	7.87	3.94	6.81
27NTR11090110	4"=>110 mm	4"=>110 mm	3" => 90 mm	3.94	3.94	3.35	4.69	5.75	1.69	1.69	1.46	7.87	3.94	6.81
27NTR12575125	5" => 125 mm	5" => 125 mm	2"1/2=>75 mm	4.45	4.45	2.72	3.98	6.50	1.87	1.87	1.30	9.84	4.53	7.76
27NTR12590125	5" => 125 mm	5" => 125 mm	3" => 90 mm	4.45	4.45	3.35	4.80	6.50	1.87	1.87	1.46	9.84	4.53	7.76
27NTR125110125	5" => 125 mm	5" => 125 mm	4" =>110 mm	4.45	4.45	3.94	5.75	6.50	1.87	1.87	1.69	9.84	4.53	7.97

 	ITEM: <b>NTR</b>	DESC: REDUCED TEE - SOCKET FUSION		DRAWING No: <b>NI10139</b>
	<small>C:\Vaut_Tempi\Disegni\Corinna\Tabelle\Niron\POLL\CI_USA\Ntr pol\ci\N10139.dwg</small>			
<a href="http://www.nupiamerica.com">www.nupiamerica.com</a> - <a href="mailto:info@nupiamerica.com">info@nupiamerica.com</a>		All dimensions have to be considered in inches with 5% tolerance if not otherwise mentioned excluding values as per standard ASTM F2389		

All right reserved - Drawing cannot be reproduced in anyway, failure todo so will entitle nupigeco to legal action. Information on this document are subject to change without notice



CODE	ND1	ND2	ND3	D1	D2	D3	D4	D	L1	L2	L3	L	H1	H
27NTR252020	3/4" => 25 mm	1/2" => 20 mm	1/2" => 20 mm	0.83	0.65	0.65	1.14	1.38	0.67	0.63	0.63	2.44	1.18	1.87
27NTR322525	1" => 32 mm	3/4" => 25 mm	3/4" => 25 mm	1.18	0.83	0.83	1.38	1.81	0.79	0.67	0.67	2.95	1.38	2.28

**NIRON**



ITEM: **NTR**

DESC: REDUCED TEE - SOCKET FUSION



DRAWING No:  
**NI10139**

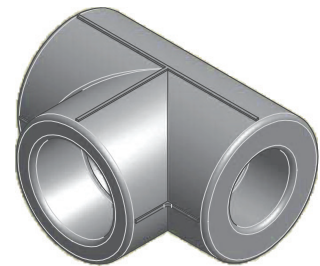
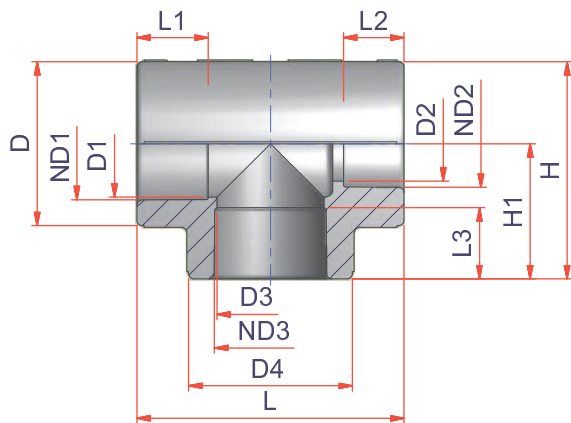
SHEET OF  
**3 6**

REV.  
**-1**

www.nupiamerica.com - info@nupiamerica.com

All dimensions have to be considered in inches with 5% tolerance if not otherwise mentioned excluding values as per standard ASTM F2389

All right reserved - Drawing cannot be reproduced in anyway, failure todo so will entitle nupigeco to legal action. Information on this document are subject to change without notice



CODE	ND1	ND2	ND3	D1	D2	D3	D4	D	L1	L2	L3	L	H1	H
27NTR252520	3/4" => 25 mm	1/2" => 20 mm	3/4" => 25 mm	0.83	0.65	0.83	1.38	1.38	0.67	0.63	0.67	2.44	1.18	1.87
27NTR323225	1" => 32 mm	3/4" => 25 mm	1" => 32 mm	1.18	0.83	1.18	1.81	1.81	0.79	0.67	0.79	2.95	1.50	2.40

**NIRON**



ITEM: **NTR**

DESC: REDUCED TEE - SOCKET FUSION



DRAWING No:  
**NI10139**

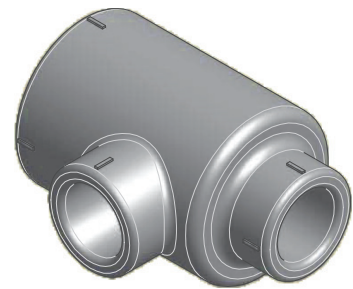
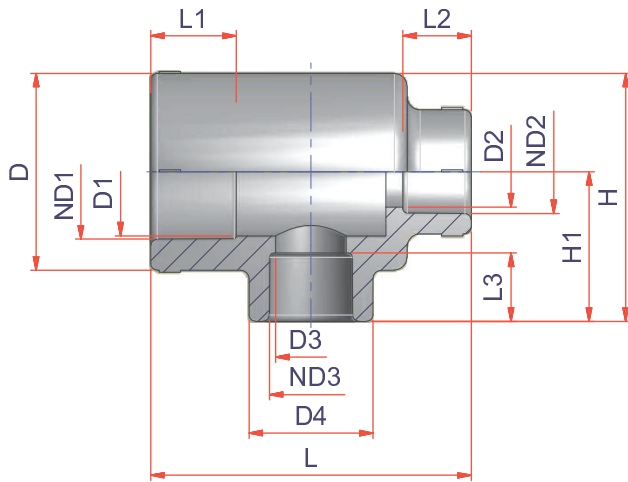
SHEET OF  
**4 6**

REV.  
**-1**

www.nupiamerica.com - info@nupiamerica.com

All dimensions have to be considered in inches with 5% tolerance if not otherwise mentioned excluding values as per standard ASTM F2389

All right reserved - Drawing cannot be reproduced in anyway, failure todo so will entitle nupigeco to legal action. Information on this document are subject to change without notice



CODE	ND1	ND2	ND3	D1	D2	D3	D4	D	L1	L2	L3	L	H1	H
27NTR322020	1" => 32 mm	1/2" => 20 mm	1/2" => 20 mm	1.18	0.65	0.65	1.14	1.81	0.79	0.63	0.63	2.95	1.38	2.28

**NIRON**



ITEM: **NTR**

DESC: REDUCED TEE - SOCKET FUSION



DRAWING No:  
**NI10139**

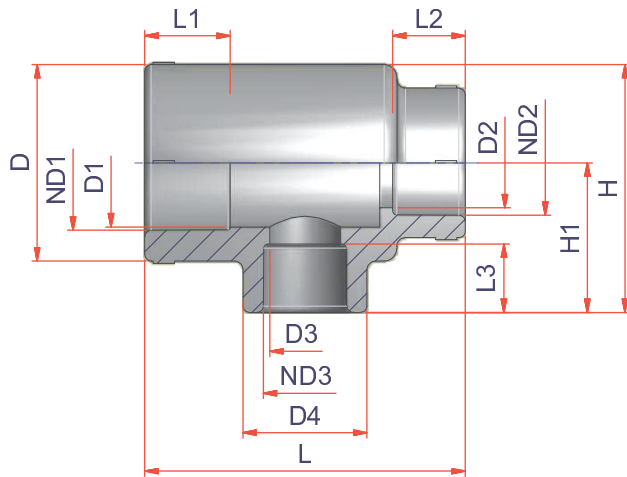
SHEET OF REV.

5 6 -1

www.nupiamerica.com - info@nupiamerica.com

All dimensions have to be considered in inches with 5% tolerance if not otherwise mentioned excluding values as per standard ASTM F2389

All right reserved - Drawing cannot be reproduced in anyway, failure todo so will entitle nupigeco to legal action. Information on this document are subject to change without notice



CODE	ND1	ND2	ND3	D1	D2	D3	D4	D	L1	L2	L3	L	H1	H
27NTR322025	1" => 32 mm	3/4" => 25 mm	1/2" => 20 mm	1.18	0.83	0.65	1.14	1.81	0.79	0.67	0.63	2.95	1.38	2.28

**NIRON**



ITEM: **NTR**

DESC: REDUCED TEE - SOCKET FUSION



DRAWING No:  
**NI10139**

SHEET OF: **6 6**  
REV.: **-1**

www.nupiamerica.com - info@nupiamerica.com

All dimensions have to be considered in inches with 5% tolerance if not otherwise mentioned excluding values as per standard ASTM F2389

All right reserved - Drawing cannot be reproduced in anyway, failure todo so will entitle nupigeco to legal action. Information on this document are subject to change without notice