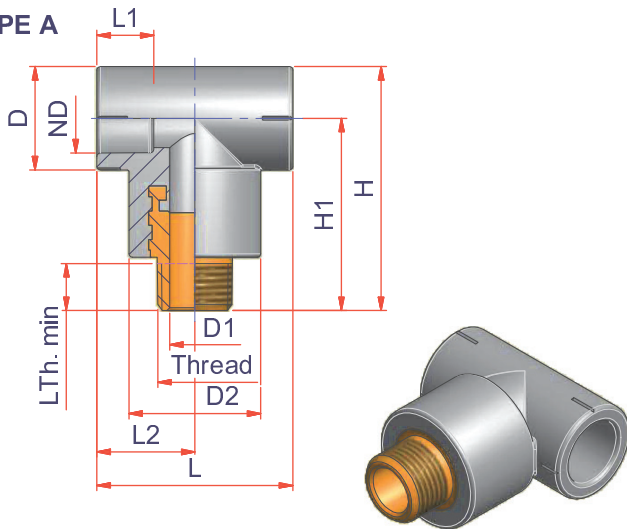
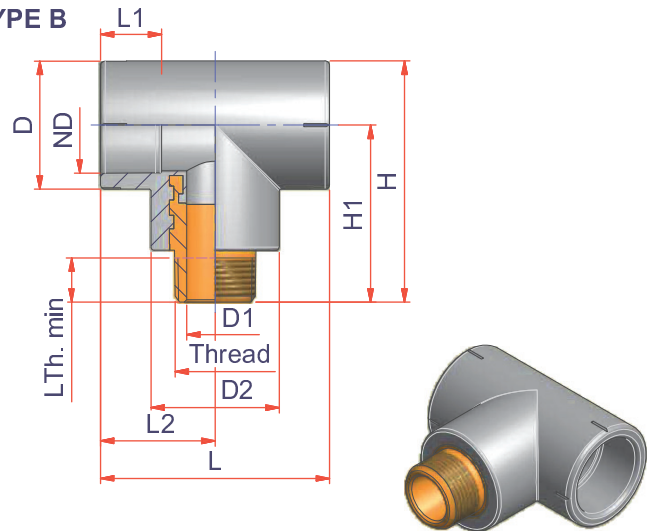


TYPE A



TYPE B



CODE	ND	D1	D2	D	Thread	L Thread min	L1	L2	L	H1	H
27NTM2012NPT (A)	1/2" => 20 mm	0.56	1.46	1.14	1/2" NPT	0.53	0.63	1.08	2.17	2.13	2.70
27NTM2512NPT (A)	3/4" => 25 mm	0.56	1.46	1.38	1/2" NPT	0.53	0.67	1.20	2.40	2.13	2.82
27NTM2534NPT (A)	3/4" => 25 mm	0.73	1.65	1.38	3/4" NPT	0.55	0.67	1.20	2.40	2.21	2.89
27NTM3212NPT (B)	1" => 32 mm	0.56	1.65	1.65	1/2" NPT	0.53	0.79	1.48	2.95	2.21	3.03
27NTM3234NPT (B)	1" => 32 mm	0.73	1.65	1.65	3/4" NPT	0.55	0.79	1.48	2.95	2.28	3.10
27NTM321NPT (B)	1" => 32 mm	0.95	2.13	1.65	1" NPT	0.68	0.79	1.87	3.74	2.50	3.35



ITEM: **NTM_NPT**

DESC: MALE THREADED TEE W/NPT LEAD FREE BRASS - SOCKET FUSION



DRAWING No:

NI10059

SHEET OF

REV.

1 1 -1

www.nupiamerica.com - info@nupiamerica.com

All dimensions have to be considered in inches with 5% tolerance if not otherwise mentioned excluding values as per standard ASTM F2389

All right reserved - Drawing cannot be reproduced in anyway, failure todo so will entitle nupigeco to legal action. Information on this document are subject to change without notice