

CODE	ND	S	L1	L
27NT7363MM	2" => 63 mm	0.34	2.72	4.72
27NT7375MM	2" 1/2 => 75 mm	0.41	2.76	4.61
27NT7390MM	3" => 90 mm	0.48	3.54	5.85
27NT73110MM	4" => 110 mm	0.59	3.43	6.30
27NT73125MM	5" => 125 mm	0.67	3.74	7.28
27NT73160MM	6" => 160 mm	0.86	4.06	8.27

**NIRON**



ITEM: NT73\_MM

DESC: TEE - LONG SPIGOT SDR 7.3



DRAWING No:  
NI10205

SHEET OF

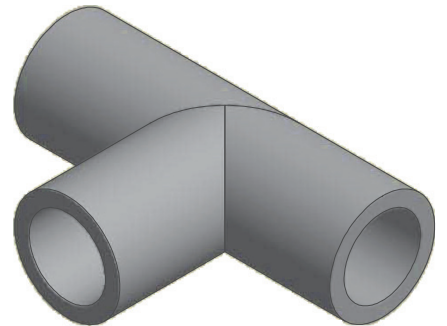
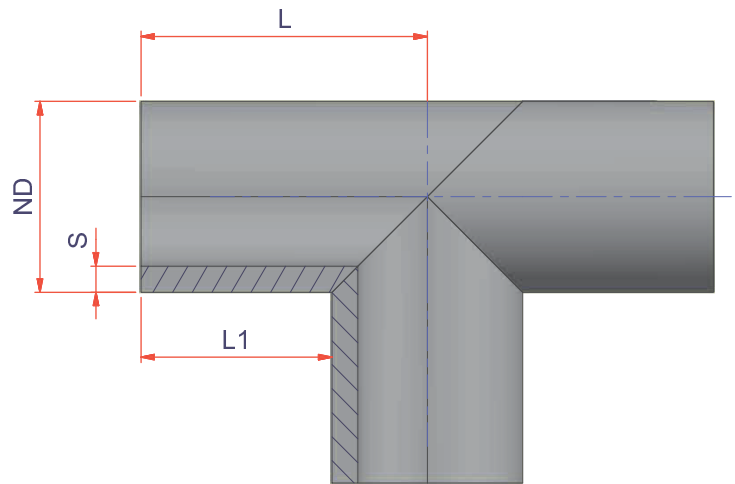
REV.

1 2 -2

www.nupiamericas.com - info@nupiamericas.com

All dimensions have to be considered in inches with 5% tolerance if not otherwise mentioned excluding values as per standard ASTM F2389

All right reserved - Drawing cannot be reproduced in anyway, failure todo so will entitle nupigeco to legal action. Information on this document are subject to change without notice



CODE	ND	S	L1	L
27NT73200MM	8" => 200 mm	1.08	5.91	9.84
27NT73250MM	10" => 250 mm	1.35	9.84	14.76
27NT73315MM	12" => 315 mm	1.70	11.81	18.11
27NT73355MM	14" => 355 mm	1.91	11.81	18.90

**NIRON**



ITEM: NT73\_MM

DESC: TEE - LONG SPIGOT SDR 7.3



DRAWING No:  
NI10205

SHEET OF

2 2

REV.

-2

www.nupiamerica.com - info@nupiamerica.com

All dimensions have to be considered in inches with 5% tolerance if not otherwise mentioned excluding values as per standard ASTM F2389

All right reserved - Drawing cannot be reproduced in anyway, failure todo so will entitle nupigeco to legal action. Information on this document are subject to change without notice