

CODE	ND	S	L1	L
27NT1163MM	2" => 63 mm	0.23	2.72	4.72
27NT1175MM	2" 1/2 => 75 mm	0.27	2.95	5.11
27NT1190MM	3" => 90 mm	0.32	3.54	5.85
27NT11110MM	4" => 110 mm	0.39	3.43	6.30
27NT11125MM	5" => 125 mm	0.45	3.74	7.28
27NT11160MM	6" => 160 mm	0.58	4.06	8.27
27NT11200MM	8" => 200 mm	0.72	4.61	9.84
27NT11250MM	10" => 250 mm	0.89	5.31	12.01
27NT11315MMA	12" => 315 mm	1.13	6.69	14.96

**NIRON**



ITEM: NT11\_MM

DESC: TEE - LONG SPIGOT SDR 11



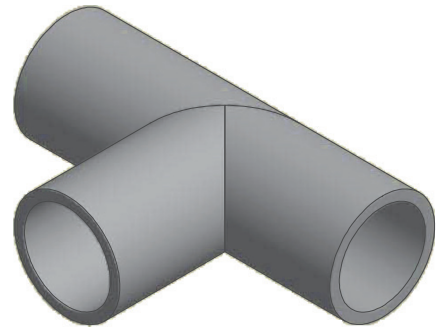
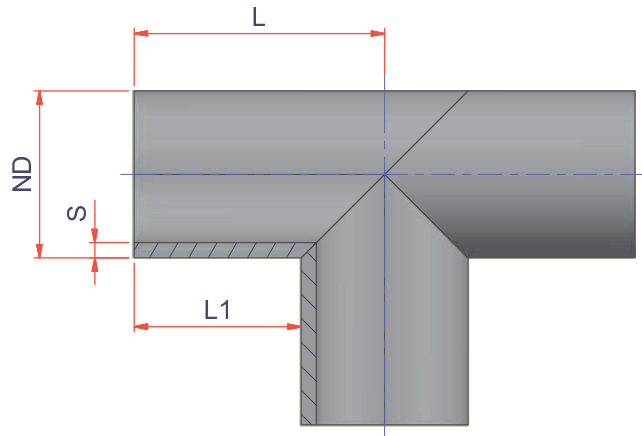
DRAWING No:  
NI10208

SHEET OF REV.  
1 3 -4

www.nupiamericas.com - info@nupiamericas.com

All dimensions have to be considered in inches with 5% tolerance if not otherwise mentioned excluding values as per standard ASTM F2389

All right reserved - Drawing cannot be reproduced in anyway, failure todo so will entitle nupigeco to legal action. Information on this document are subject to change without notice



CODE	ND	S	L1	L
27NT11315MMB	12" => 315 mm	1.13	11.81	18.11
27NT11355MMB	14" => 355 mm	1.27	11.81	18.90
27NT11400MMB	16" => 400 mm	1.43	11.81	19.69
27NT11450MMB	18" => 450 mm	1.61	11.81	20.67
27NT11500MMB	20" => 500 mm	1.79	13.78	23.62

**NIRON**



ITEM:  
**NT11\_MMB**

C:\Vaul\_Tempi\Disegni\Corrimal\Tabelle\Niron\POLLICI\_USA\NI11\_MM  
pol1c - SDR11\NI10208.dwg

DESC: TEE - LONG SPIGOT SDR 11



DRAWING No:  
**NI10208**

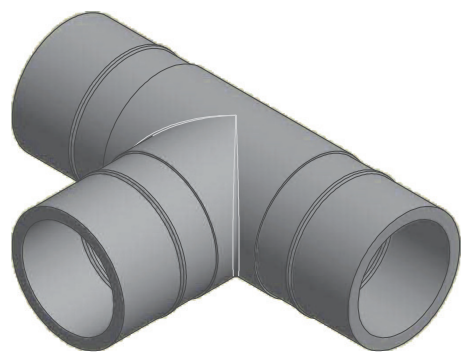
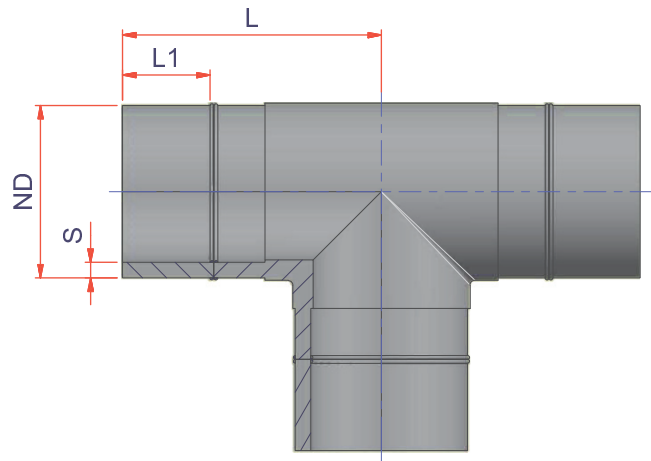
SHEET OF  
**2 3**

REV.  
**-4**




[www.nupiamerica.com](http://www.nupiamerica.com) - [info@nupiamerica.com](mailto:info@nupiamerica.com)

All dimensions have to be considered in inches with 5% tolerance if not otherwise mentioned excluding values as per standard ASTM F2389

All right reserved - Drawing cannot be reproduced in anyway, failure todo so will entitle nupigeco to legal action. Information on this document are subject to change without notice



CODE	ND	S	L1	L
27NT11355MMC	14" => 355 mm	1.27	7.09	20.98
27NT11400MMC	16" => 400 mm	1.43	7.87	22.05
27NT11450MMC	18" => 450 mm	1.61	8.66	26.77

 	ITEM:	DESC:		DRAWING No:	
	NT11_MMC	TEE - LONG SPIGOT SDR 11		NI10208	
<small>C:\Vaul_Templ\Disegni\Corr\ma\Tabelle\Niron\POLL\CI_USA\NI11_MM.pdf - SDR11 NI10208.dwg</small>				SHEET OF	REV.
<a href="http://www.nupiamerica.com">www.nupiamerica.com</a> - <a href="mailto:info@nupiamerica.com">info@nupiamerica.com</a>		<small>All dimensions have to be considered in inches with 5% tolerance if not otherwise mentioned excluding values as per standard ASTM F2389</small>		3 3	-4

All right reserved - Drawing cannot be reproduced in anyway, failure todo so will entitle nupigeco to legal action. Information on this document are subject to change without notice