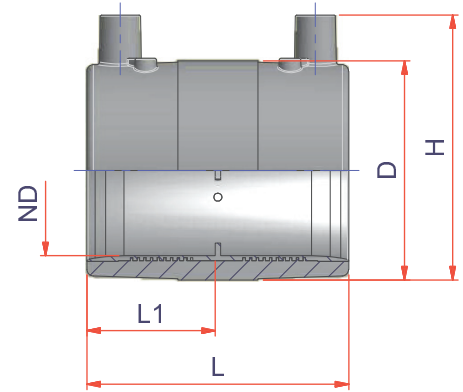


| CODE | ND | L1 | L | H | D |
|----------|-----------------|------|------|-------|-------|
| 27NME20 | 1/2" => 20 mm | 1.34 | 2.76 | 2.05 | 1.30 |
| 27NME25 | 3/4" => 25 mm | 1.34 | 2.76 | 2.28 | 1.52 |
| 27NME32 | 1" => 32 mm | 1.34 | 2.76 | 2.56 | 1.79 |
| 27NME40 | 1" 1/4 => 40 mm | 1.61 | 3.35 | 2.95 | 2.17 |
| 27NME50 | 1" 1/2 => 50 mm | 1.67 | 3.47 | 3.43 | 2.68 |
| 27NME63 | 2" => 63 mm | 1.67 | 3.86 | 3.94 | 3.23 |
| 27NME75 | 2" 1/2 => 75 mm | 2.40 | 4.92 | 4.49 | 3.86 |
| 27NME90 | 3" => 90 mm | 2.84 | 5.75 | 5.12 | 4.45 |
| 27NME110 | 4" => 110 mm | 3.03 | 6.10 | 5.67 | 5.35 |
| 27NME125 | 5" => 125 mm | 3.23 | 6.54 | 6.58 | 6.16 |
| 27NME160 | 6" => 160 mm | 3.41 | 6.89 | 7.93 | 7.48 |
| 27NME200 | 8" => 200 mm | 3.60 | 7.28 | 9.57 | 9.13 |
| 27NME250 | 10" => 250 mm | 4.17 | 8.35 | 11.81 | 11.65 |



NIRON



ITEM: **NME**

DESC: ELECTROFUSION COUPLING
SDR 11



DRAWING No:
NI10164

SHEET OF

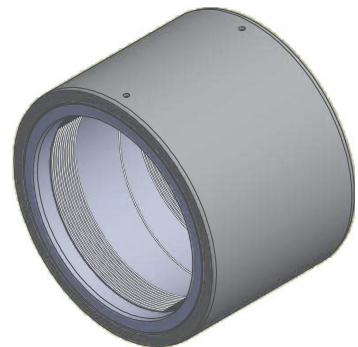
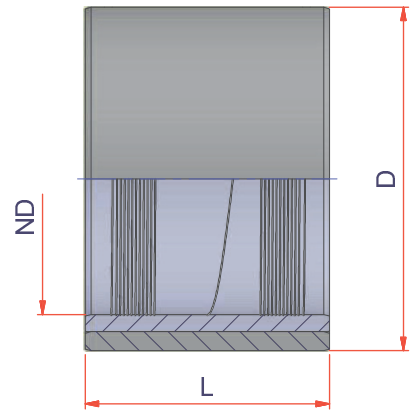
REV.

1 3 -1

www.nupiamerica.com - info@nupiamerica.com

All dimensions have to be considered in inches with 5% tolerance if not otherwise mentioned excluding values as per standard ASTM F2389

All right reserved - Drawing cannot be reproduced in anyway, failure todo so will entitle nupigeco to legal action. Information on this document are subject to change without notice



| CODE | Dn | L1 | L | H | D |
|----------|---------------|----|-------|---|-------|
| 27NME315 | 12" => 315 mm | - | 11.81 | - | 15.59 |
| 27NME355 | 14" => 355 mm | - | 12.60 | - | 17.72 |
| 27NME400 | 16" => 400 mm | - | 12.60 | - | 19.69 |

NIRON



ITEM: **NME**

DESC: ELECTROFUSION COUPLING
SDR 11



DRAWING No:
NI10164

SHEET OF

2 3

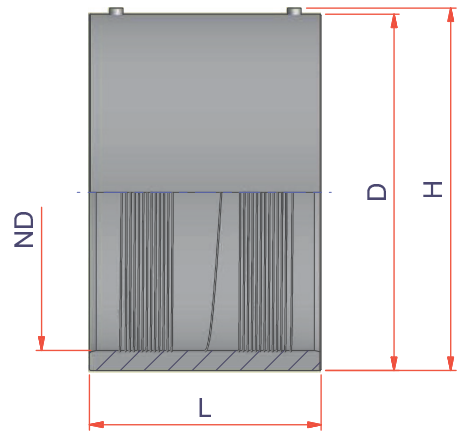
REV.

-1

www.nupiamerica.com - info@nupiamerica.com

All dimensions have to be considered in inches with 5% tolerance if not otherwise mentioned excluding values as per standard ASTM F2389

All right reserved - Drawing cannot be reproduced in anyway, failure todo so will entitle nupigeco to legal action. Information on this document are subject to change without notice



| CODE | ND | L1 | L | H | D |
|----------|---------------|----|-------|-------|-------|
| 27NME450 | 18" => 450 mm | - | 13.39 | 19.88 | 19.69 |

| | | | | | | |
|---|---|-----|--|---|-------------|---------|
|  | ITEM: | NME | DESC: ELECTROFUSION COUPLING SDR 11 |  | DRAWING No: | |
| | | | | | | NI10164 |
|  | <small>C:\Vaut_Tempi\Disegni\Corima\Tabelle\Niron\POLLICI_USA\Nme polici\N10164.dwg</small> | | | SHEET OF | REV. | |
| www.nupiamerica.com - info@nupiamerica.com | All dimensions have to be considered in inches with 5% tolerance if not otherwise mentioned excluding values as per standard ASTM F2389 | | | 3 | 3 | -1 |

All right reserved - Drawing cannot be reproduced in anyway, failure todo so will entitle nupigeco to legal action. Information on this document are subject to change without notice