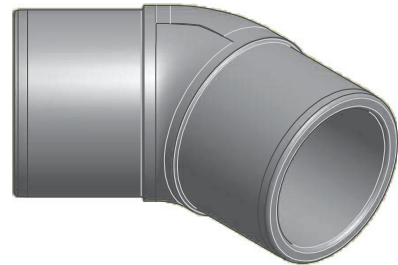


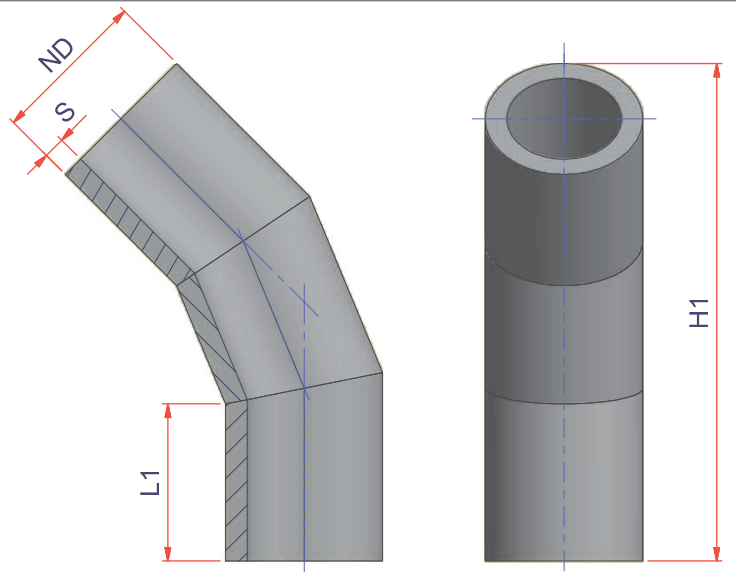


CODE	ND	S	L1	H
27NC457363MM	2" => 63 mm	0.34	2.72	6.89
27NC457375MM	2" 1/2 => 75mm	0.41	2.87	7.48
27NC457390MM	3" => 90 mm	0.48	3.54	9.25
27NC4573110MM	4" => 110 mm	0.59	3.43	9.53
27NC4573125MM	5" => 125 mm	0.67	3.74	10.41
27NC45734160MM	6" => 160 mm	0.86	4.06	12.24



	ITEM:	DESC: 45° ELBOW - LONG SPIGOT SDR 7.3		DRAWING No:	
	NC4573_MM			NI10204	
<a href="http://www.nupiamericas.com">www.nupiamericas.com</a> - <a href="mailto:info@nupiamericas.com">info@nupiamericas.com</a>	<small>C:\Vauli_Tempi\Disegni\Corrimal\Tabelle\Nironi\POLLICI_USA\No4573_MM.pdf o SDR 7.3\N10204.dwg</small>			SHEET OF	REV.
<small>All dimensions have to be considered in inches with 5% tolerance if not otherwise mentioned excluding values as per standard ASTM F2389</small>				1 2	-2

All right reserved - Drawing cannot be reproduced in anyway, failure todo so will entitle nupigeco to legal action. Information on this document are subject to change without notice



CODE	ND	S	L1	H
27NC4573200MM	8" => 200 mm	1.08	5.91	20.00
27NC4573250MM	10" => 250 mm	1.35	9.84	30.47
27NC4573315MM	12" => 315 mm	1.70	11.81	37.00
27NC4573355MM	14" => 355 mm	1.91	11.81	37.00

**NIRON**



ITEM:  
**NC4573\_MM**

C:\Vau\1\_Tempi\Disegni\Corr\ma\Tabelle\Niron\POLLICI\_USA\No4573\_MM  
poli.e SDR 7.3\N10204.dwg

DESC: 45° ELBOW - LONG SPIGOT SDR 7.3



DRAWING No:  
**NI10204**

SHEET OF

2 2

REV.

-2

www.nupiamerica.com - info@nupiamerica.com

All dimensions have to be considered in inches with 5% tolerance if not otherwise mentioned excluding values as per standard ASTM F2389

All right reserved - Drawing cannot be reproduced in anyway, failure todo so will entitle nupigeco to legal action. Information on this document are subject to change without notice