



DURALINE™ Laboratory Faucets Installation Instructions

*Your Duraline Lab Faucet comes fully assembled and ready for installation.
It represents the most durable product available in the industry.
Designed and constructed for reliability and ease of use.*

Step 1

Select the location for installation so that operation of the valve will not be compromised. The centerline of the dispensing stream will be 6" from the centerline of the Stanchion (12).

Step 2.

Provide a 1" to 1 1/4" diameter hole for mounting.

Step 3.

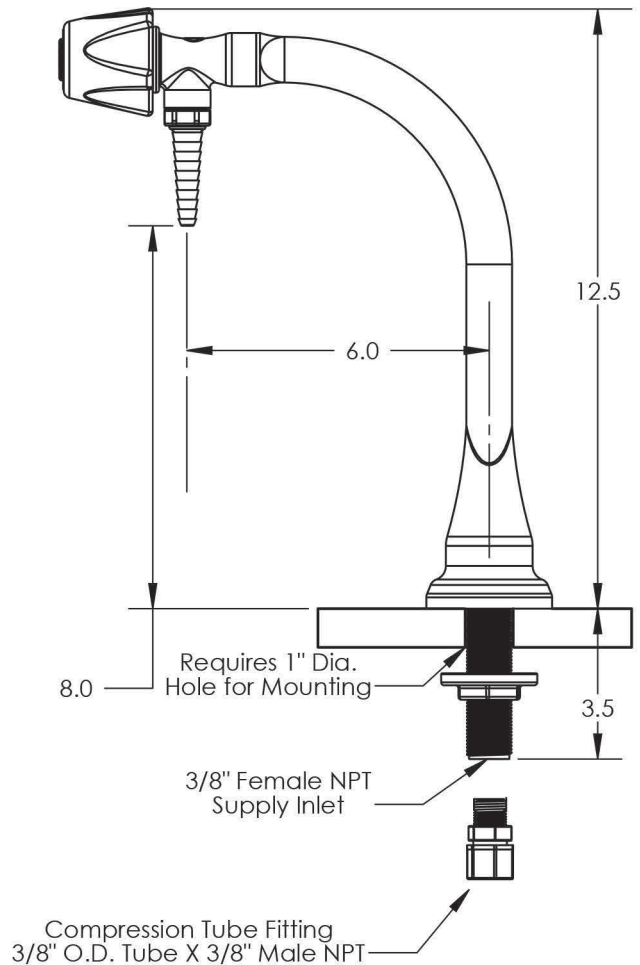
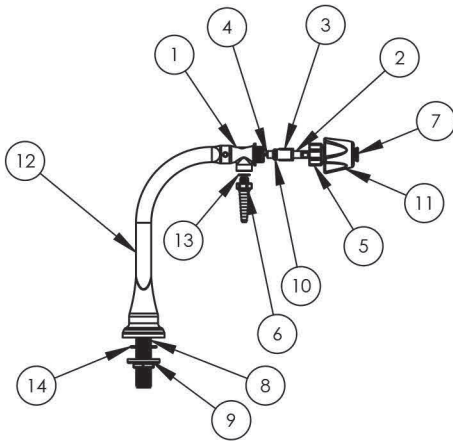
Making sure that the Casual Water Seal (14) is in place, insert the faucet, Deck Mounting Nipple (8), through the hole and tighten the Threaded Nut Ring (9). Hand tight plus 1/2 turn with a wrench will secure the faucet to the deck.

Step 4.

A 3/8" O.D. tube x 3/8" male NPT compression fitting is provided for convenience. The supply connection may be made with any similar 3/8" male NPT fitting.

Step 5.

Turn on the water supply and check for any leak in the supply connection. Open valve to bleed off any air in the faucet and supply line.



ITEM NO.	PART NUMBER	DESCRIPTION	QTY.
1	DL-AB3-X	Body, Control Valve	1
2	DL-NDM-X	Stem, Control valve	1
3	NV-T5TPI-X	Thread Insert	1
4	DL-SS-PTFE	Shut Off Seal, PTFE	1
5	NV-C-X	Cap, Control Valve	1
6	RBT-250	Removable Barb Tip	1
7	DL-IDDI-ABS	Index Disk	1
8	Nipple 8-18-2005	Deck Mounting Nipple	1
9	Large Nut Ring 8-18-2005	Threaded Nut Ring	1
10	NV-S-PTF	Knob Handle, MQ	1
11	DL-KHMQ-	Stanchion	1
12	DL-STN-X	Seal, Removable Barb Tip	1
13	RBT-OR-, O-ring	Casual Water Seal	1
14	LG-CWS		1

