

Deionized Water Lab Faucets

Duraline™ Series

Materials: PVC, Natural Polypropylene, PVDF

Fields of Application: Distilled, Deionized, RO, Ultra Filtrated Water, Chemical Dispensing.

The industry has long awaited a DI Water Lab Faucet that would provide the durability and strength of a metal faucet, without the contamination and corrosion that metal introduces into the process environment. Marquest Scientific's Duraline Faucets offer the ultimate in durability for commercial applications, featuring a full array of heavy-duty faucets that are built to withstand constant use -- and the occasional misuse, found in commercial applications.

Features & Benefits

- Max flow of 2.5 GPM @ 80 PSI
- "Duraline" zero dead leg control valve offers easy open/close operation, 120 deg full flow to closed
- Heavy wall, injection molded stanchion prevents breakage
- All components designed for high traffic, hard use environments
- Ultra smooth internal flow path
- Black handle with white marker and black "DI" text per SEFA code No. 7 for DI Water Applications
- FDA, USDA, and USP standards are either met and/or exceeded
- Duraline control valve is completely renewable by replacing the internal cartridge, per SEFA 7-2010-8.2a
- Positive stop at off position
- No elastomers, metals, or lubricants used in construction

Specifications

Inlet Connections: 3/8" Female NPT

Materials: PVC, Natural Polypropylene, PVDF

Seal Materials: Virgin PTFE

Configurations: Deck or Wall Mount

Operating Pressure Range: 1 - 200 PSI

Codes & Standards: ARRA Section 1605 "Buy American"
Compliant. ASME A112.18.1M

Flow Rate: Max Flow Rate of 2.5 GPM @ 80 PSI

Notes

1. Deck Mount Assemblies include a 3.5" Thru-Deck Nipple and Wall Mount Assemblies a 2.5" Thru-Deck Nipple Length, Ring Nut, and Casual Water Gasket.
2. Inlet Connection on all Assemblies is 3/8" Female NPT. 3/8" O.D. Tube x 3/8" Male NPT Jaco Compression Tube Fittings Included.
3. All Assemblies Require 1" Diameter Hole for Mounting.
4. Maximum Deck and Wall Thickness is 3" and 2" respectively.

New Laboratory Faucets



Example: DL-DD-1

PVC, Deck Mount
3/8" Fem NPT Inlet
Duraline Control Valve

Example: DL-DD-2

Natural Polypro, Deck Mount
3/8" Fem NPT Inlet
Duraline Control Valve

Example: DL-DD-3

PVDF, Deck Mount
3/8" Fem NPT Inlet
Duraline Control Valve

(1) Please see backside of data sheet for ordering info, including configuration & material options.

Markets / Applications

- Life Sciences
- Semiconductor Manufacturing
- Mining
- Food & Beverage
- Cosmetics
- Chromatography / Spectrometry
- Hospitals
- University Research Laboratories
- Specialty Chemicals

Where Quality Meets Service & Value™

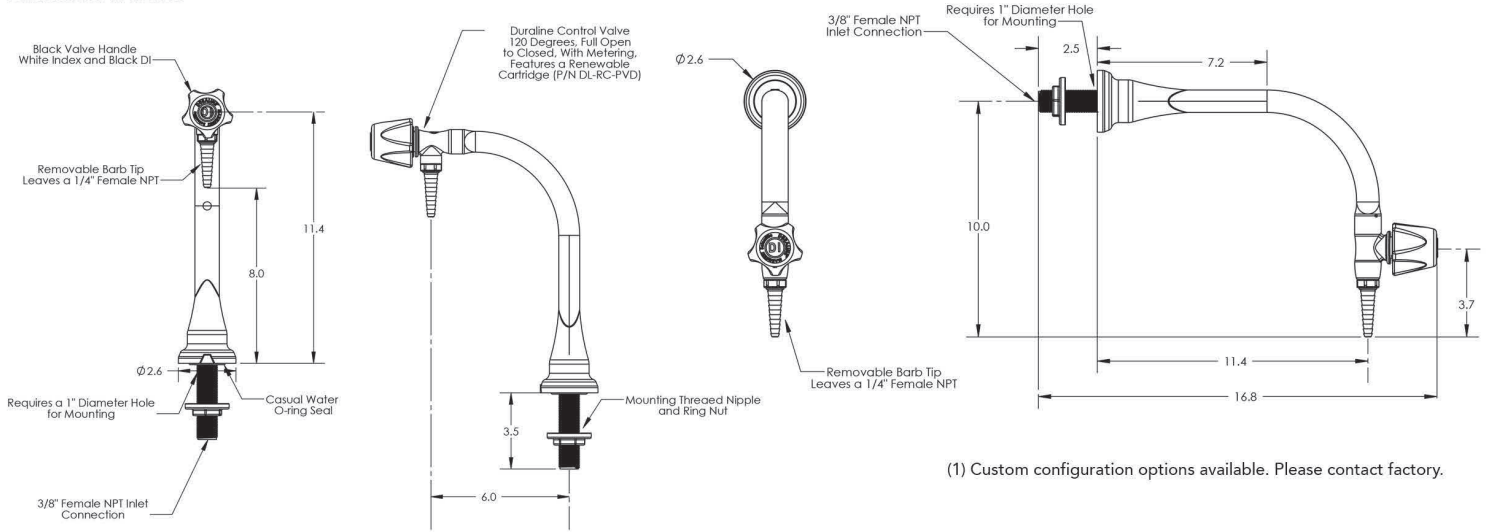


Lab Faucets

Deionized Water Lab Faucets Duraline Series

Dimensional Data / Parts List

*Dimensions in inches



(1) Custom configuration options available. Please contact factory.

Pressure / Temperature Data

WORKING PRESSURES PSI

WEIGHTS

Material	10°C	20°C	30°C	40°C	50°C	60°C	70°C	80°C	90°C	100°C	120°C	Net Weights Pounds*
	50°F	68°F	86°F	104°F	122°F	140°F	158°F	176°F	194°F	212°F	248°F	
PVC	200	250	250	220	140	135	---	---	---	---	---	1.1
PP	200	240	240	210	145	125	75	60	---	---	---	.72
PVDF	240	250	250	250	250	230	220	200	160	140	80	1.3

Temperature Ranges: PVC: 14° to 140° F (10° to 60° C), PP: 46° to 176° F (8° to 80° C), PVDF: -22° to 248° F (-30° to 120° C). * Weights are for fully assembled lab faucet in heat sealed poly bag within a box.



Duraline Control Valve Renewable Cartridge

The Duraline control valve is completely renewable by replacing the internal cartridge, per SEFA 7-2010-8.2a

How to Order

Part No: DL - D D - 1 -

MODEL	MOUNTING	CONTROL VALVE	MATERIAL
Duraline Series	D = Deck Mount W = Wall Mount	D = Duraline Metering Control Valve with Hard Stop. 120 Deg Full Flow to Closed	1 = PVC - Polyvinyl Chloride 2 = Natural Unpigmented Polypropylene 3 = 100% HP Virgin PVDF

Example: DL-DD-1

PVC Duraline Lab Faucet, Deck Mount, Duraline Metering Control Valve, Removable Serrated Barb Tip (Leaves 1/4" Fem NPT Outlet when Removed), 3/8" Fem NPT Supply Inlet Connection

Example: DL-WD-3-CF02

PVDF Duraline Lab Faucet, Wall Mount, Duraline Metering Control Valve, Removable .2 Micron Cap Filter Outlet (Leaves 1/4" Fem NPT Outlet when Removed), 3/8" Fem NPT Supply Inlet Connection

(1) Optional point-of-use accessories are available including an aerator, .2 micron capsule filter, and other custom accessories upon request.

(2) Standard through deck nipple "shank" length dimension is 3.5" for deck mount and 2.5" for wall mount. Optional lengths include 2", 1.5", and 1". Please contact customer service for ordering info.

Optional Accessories



-AER

For glass ware rinsing, a removable Marquest Aerator in PVC, Nat Polypro, & PVDF provides for a non-splashing stream by delivering a mixture of air & water versus a standard laminar stream. An additional Removable Serrated Barb comes standard when your faucet is ordered with an Aerator.



-CF02

Add a replaceable Meissner STYLUX PES .2 Micron Capsule Filter to your Marquest Faucet. Provides bacteria and particle removal at high flow rates and extremely low pressure drops. Meets ASTM F838-05 as a Sterilizing Grade Filter. Effective Filtration Area is .22 sq ft. Natural Polypropylene Housing with Polyethersulfone (PES) membrane. 1/4" MNPT Outlet on Filter. When removed leaves a 1/4" female NPT outlet at end of faucet spout.

Marquest Scientific, Inc.
2950 Airway Avenue, Costa Mesa, 92626 California
Toll Free 866 452 2349 Fax 714 491 9199
www.marquestscientific.com | www.DiWaterFaucets.com



Where Quality Meets Service & Value™

© 2016 Marquest Scientific, Inc. | Printed in U.S.A. | MSI.DL