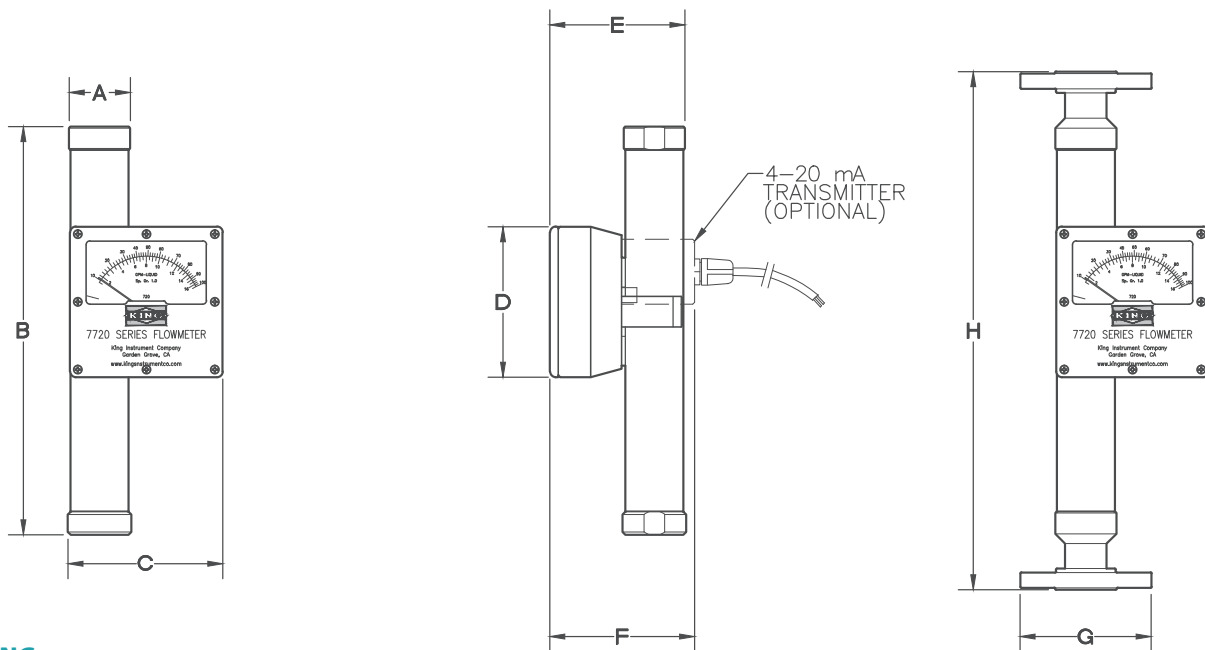


7720 Series Specifications

PVC Tube

Order Number	Full Scale Flow GPM-Water	Dimension (Inches) FNPT Connections						150 # Flange	
		A	B	C	D	E	F	G	H
706	33.0 GPM – 1/2" FNPT	1.312	11	5.125	5	3.375	4.625	3.50	13.125
708	1.1 GPM – 1/2" FNPT	1.312	11	5.125	5	3.375	4.625	3.50	13.125
710	2.0 GPM – 1/2" FNPT	1.312	11	5.125	5	3.375	4.625	3.50	13.125
712	4.0 GPM – 1/2" FNPT	1.312	11	5.125	5	3.375	4.625	3.50	13.125
714	6.0 GPM – 1/2" FNPT	1.312	11	5.125	5	3.375	4.625	3.50	13.125
716	5.0 GPM – 1" FNPT	1.875	13.25	5.25	5	4	4.625	4.25	16.75
718	10.0 GPM – 1" FNPT	1.875	13.25	5.25	5	4	4.625	4.25	16.75
720	16.5 GPM – 1" FNPT	1.875	13.25	5.25	5	4	4.625	4.25	16.75
722	25.0 GPM – 1" FNPT	1.875	13.25	5.25	5	4	4.625	4.25	16.75
724	35.0 GPM – 1 1/2" FNPT	2.375	13.875	5.625	5	4.50	4.625	5.00	18.625
726	60.0 GPM – 1 1/2" FNPT	2.375	13.875	5.625	5	4.50	4.625	5.00	18.625
728	76.0 GPM – 2" FNPT	3.5	13.875	6.75	5	5.625	4.625	6.00	17.156
730	100.0 GPM – 2" FNPT	3.5	13.875	6.75	5	5.625	4.625	6.00	17.156
732	120.0 GPM – 2" FNPT	3.5	13.875	6.75	5	5.625	4.625	6.00	17.156
734	152.0 GPM – 2" FNPT	3.5	13.875	6.75	5	5.625	4.625	6.00	17.156
736	150.0 GPM – 3" Flange	—	—	—	—	—	—	7.50	17.867
738	225.0 GPM – 3" Flange	—	—	—	—	—	—	7.50	17.867
740	300.0 GPM – 4" Flange	—	—	—	—	—	—	9.00	18.562
742	375.0 GPM – 4" Flange	—	—	—	—	—	—	9.00	18.562
744	450.0 GPM – 4" Flange	—	—	—	—	—	—	9.00	18.562

DIMENSION DIAGRAM



ORDERING:

Use the following guide to determine the specific product number you require.

Meter Series	Connection Type	Float Material	O-ring Material	Optional Alarm/Transmitter	Order Number
772	FNPT Connections - 1 150# R.F. Flanged - 2	Hastelloy C-276 - 4	EPR - 1 Buna-N - 2 Viton® - 3 Kalrez® - 4	None - 0 With Transmitter - T One Alarm (Inductive Slot Sensor) - A Two Alarms (Inductive Slot Sensors) - D	See Specifications table

These 316L stainless steel meters feature flange connections, all welded construction (no O-rings), and an end to end length of 250mm. A float and tapered tube design provides longer, more linear scales. A 4-20mA transmitter option adds to its versatility.



DESCRIPTION

Overall Length	250 millimeters
Metering Tube	316L SS
Internal Components	316L SS
Inlet/Outlet Fittings	150# or 300# flange, vertical
O-Ring	All welded construction, no O-rings or gaskets
Indicator Housing	304 SS
Flange Material	316L SS
Scale	120 mm direct reading, detachable

PERFORMANCE

Capacities	Water 33 GPH to 16.5 GPM
	Air 2.2 SCFM to 76 SCFM
Scale	120 mm direct reading, detachable
Accuracy	± 3% of full scale flow
Turndown	10:1
Repeatability	1%
Maximum Temperature	400° F (204° C)
	Temp F 150# 300#
	200° 225 psi 600 psi
	300° 200 psi 540 psi
	400° 180 psi 515 psi
Maximum Pressure	See 150# and 300# SS flange class above
Ambient Temperature	-40° F to 125° F (-40° C to 52° C)

OPTIONS

Alarm	Single or dual, Inductive Slot Sensor 4-20 mA transmitter
Certified Calibrations	Conform to ISA RP 16.6
CRNs	All Canadian provinces
Scales	Any volumetric unit