

This all 316L stainless steel meter utilizes a float and tapered tube design which offers longer, more linear scales, better pointer stability and 40% greater accuracy than competitively priced products. A 4-20mA transmitter option adds to its versatility.



## DESCRIPTION

<b>Metering Tube</b>	316L SS
<b>Internal Components</b>	316L SS
<b>Fitting Material</b>	316L SS
<b>Inlet/Outlet Fittings</b>	316L SS NPT or flange, vertical
<b>O-Ring</b>	Standard: Viton® Optional: Buna N, EPR, Kalrez®
<b>Indicator Housing</b>	304 SS

## PERFORMANCE

<b>Capacities</b>	Water 33 GPH to 450 GPM Air 4 to 100 SCFM																
<b>Scale</b>	120 mm direct reading, detachable																
<b>Accuracy</b>	± 3% of full scale flow																
<b>Turndown</b>	10:1																
<b>Repeatability</b>	1 %																
<b>Maximum Temperature</b>	<b>O-Ring Material</b> <b>Max Temperature</b> EPR 225° F (107° C) Buna-N 275° F (135° C) Viton® 350° F (177° C) Kalrez® 400° F (204° C)																
<b>Maximum Pressure</b>	NPT fittings 1,500 psi SS flange class <table border="0"> <tr> <td><b>Temp F</b></td> <td><b>150#</b></td> <td><b>300#</b></td> <td><b>600#</b></td> </tr> <tr> <td>200°</td> <td>225 psi</td> <td>600 psi</td> <td>1,200 psi</td> </tr> <tr> <td>300°</td> <td>200 psi</td> <td>540 psi</td> <td>1,100 psi</td> </tr> <tr> <td>400°</td> <td>180 psi</td> <td>515 psi</td> <td>1,000 psi</td> </tr> </table>	<b>Temp F</b>	<b>150#</b>	<b>300#</b>	<b>600#</b>	200°	225 psi	600 psi	1,200 psi	300°	200 psi	540 psi	1,100 psi	400°	180 psi	515 psi	1,000 psi
<b>Temp F</b>	<b>150#</b>	<b>300#</b>	<b>600#</b>														
200°	225 psi	600 psi	1,200 psi														
300°	200 psi	540 psi	1,100 psi														
400°	180 psi	515 psi	1,000 psi														
<b>Ambient Temperature</b>	-40° F to 125° F (-40° C to 52° C)																

## OPTIONS

<b>Alarm</b>	Single or dual, Inductive Slot Sensor 4-20 mA transmitter
<b>Certified Calibrations</b>	Conform to ISA RP 16.6
<b>CRNs</b>	All Canadian provinces
<b>Scales</b>	Any volumetric unit

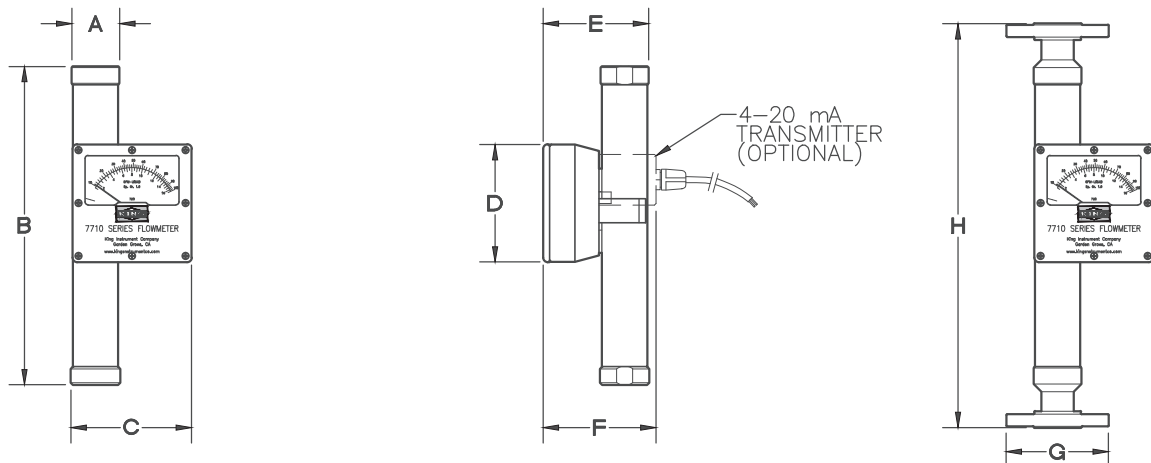
# 7710 Series Specifications

## Stainless Steel Tube

Order Number	Full Scale Flow GPM-Water	Dimension (Inches) FNPT Connections						150 # Flange		300 # Flange	
		A	B	C	D	E	F	G	H	G	H
706	33.0 GPH – 1/2" FNPT	1.312	11	5	5	3.375	4.625	3.50	13.125	3.75	13.625
708	1.1 GPM – 1/2" FNPT	1.312	11	5	5	3.375	4.625	3.50	13.125	3.75	13.625
710	2.0 GPM – 1/2" FNPT	1.312	11	5	5	3.375	4.625	3.50	13.125	3.75	13.625
712	4.0 GPM – 1/2" FNPT	1.312	11	5	5	3.375	4.625	3.50	13.125	3.75	13.625
714	6.0 GPM – 1/2" FNPT	1.312	11	5	5	3.375	4.625	3.50	13.125	3.75	13.625
716	5.0 GPM – 1" FNPT	1.875	13.25	5.25	5	4	4.625	4.25	16.75	4.88	17.500
718	10.0 GPM – 1" FNPT	1.875	13.25	5.25	5	4	4.625	4.25	16.75	4.88	17.500
720	16.5 GPM – 1" FNPT	1.875	13.25	5.25	5	4	4.625	4.25	16.75	4.88	17.500
722	25.0 GPM – 1" FNPT	1.875	13.25	5.25	5	4	4.625	4.25	16.75	4.88	17.500
724	35.0 GPM – 1 1/2" FNPT	2.375	13.875	5.625	5	4.50	4.625	5.00	18.625	6.12	19.250
726	60.0 GPM – 1 1/2" FNPT	2.375	13.875	5.625	5	4.50	4.625	5.00	18.625	6.12	19.250
728	76.0 GPM – 2" FNPT	3.5	13.875	6.75	5	5.625	4.625	6.00	17.156	6.50	17.750
730	100.0 GPM – 2" FNPT	3.5	13.875	6.75	5	5.625	4.625	6.00	17.156	6.50	17.750
732	120.0 GPM – 2" FNPT	3.5	13.875	6.75	5	5.625	4.625	6.00	17.156	6.50	17.750
734	152.0 GPM – 2" FNPT	3.5	13.875	6.75	5	5.625	4.625	6.00	17.156	6.50	17.750
736	150.0 GPM – 3" Flange	—	—	—	—	—	—	7.50	17.867	8.25	18.187
738	225.0 GPM – 3" Flange	—	—	—	—	—	—	7.50	17.867	8.25	18.187
740	300.0 GPM – 4" Flange	—	—	—	—	—	—	9.00	18.562	10.00	19.750
742	375.0 GPM – 4" Flange	—	—	—	—	—	—	9.00	18.562	10.00	19.750
744	450.0 GPM – 4" Flange	—	—	—	—	—	—	9.00	18.562	10.00	19.750

Order Number	Full Scale Flow SCFM - Air	FNPT	Dimension (Inches) FNPT Connections						150 # Flange		300 # Flange	
			A	B	C	D	E	F	G	H	G	H
707	4.0 SCFM	1/2"	1.312	11	5.125	5	3.375	4.625	3.50	13.125	3.75	13.625
709	8.0 SCFM	1/2"	1.312	11	5.125	5	3.375	4.625	3.50	13.125	3.75	13.625
711	16.5 SCFM	1/2"	1.312	11	5.125	5	3.375	4.625	3.50	13.125	3.75	13.625
713	24 SCFM	1/2"	1.312	11	5.125	5	3.375	4.625	3.50	13.125	3.75	13.625
715	20 SCFM	1"	1.875	13.25	5.25	5	4	4.625	4.25	16.75	4.88	17.500
717	42 SCFM	1"	1.875	13.25	5.25	5	4	4.625	4.25	16.75	4.88	17.500
719	76 SCFM	1"	1.875	13.25	5.25	5	4	4.625	4.25	16.75	4.88	17.500
721	100 SCFM	1"	1.875	13.25	5.25	5	4	4.625	4.25	16.75	4.88	17.500

### DIMENSION DIAGRAM



### ORDERING:

Use the following guide to determine the specific product number you require.

Meter Series	Connection Type	Float Material	O-ring Material	Optional Alarm/Transmitter	Order Number
771	FNPT Connections - 1 150# R.F. Flanged - 2 300# R.F. Flanged - 3 600# R.F. Flanged*	316L SS - 2	EPR - 1 Buna-N - 2 Viton® - 3 Kalrez® - 4	None - 0 With Transmitter - T One Alarm (Inductive Slot Sensor) - A Two Alarms (Inductive Slot Sensors) - D	See Specifications table

\*Call factory for 600# R.F. flange availability