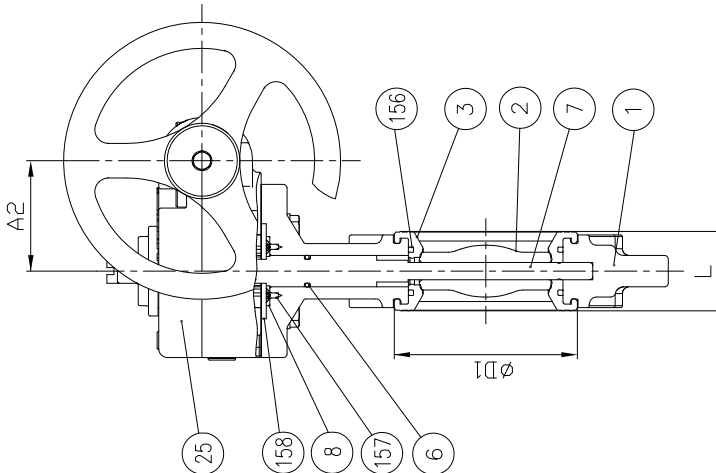
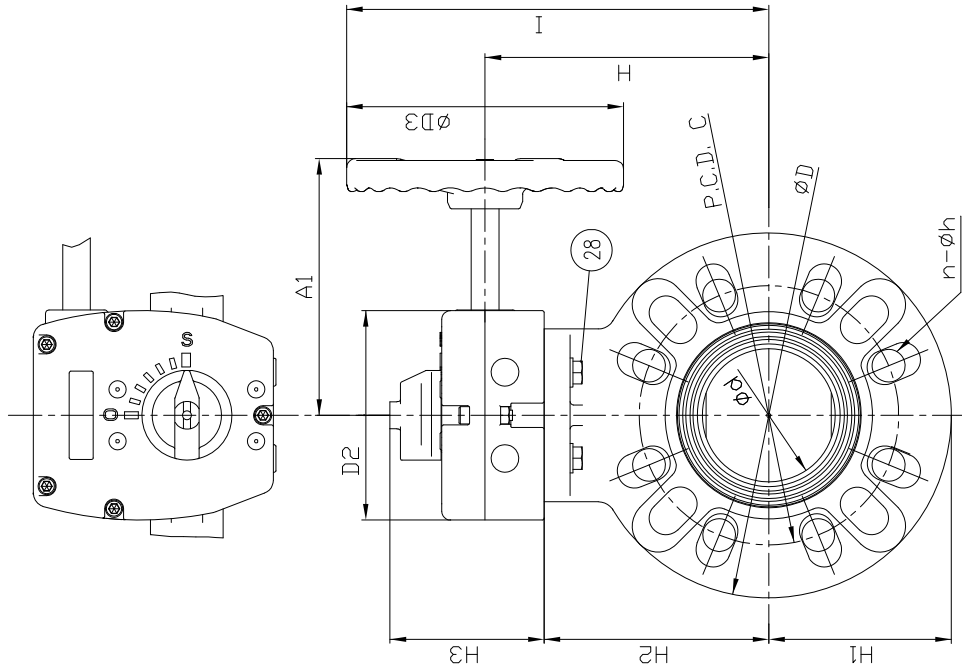


DIMENSIONS TABLE

UNIT: inch

NOMINAL SIZE	ANSI Class 150			D	D ₁	D ₂	D ₃	L	H	H ₁	H ₂	H ₃	I	A ₁	A ₂	Number of handle wheel rotation	GEAR BOX TYPE	
	d	C	n															
1½" 40 ^{mm}	1.77	3.88	4	0.62	5.91	2.83	4.80	6.30	1.54	5.12	2.95	3.74	3.54	8.27	6.57	2.52	241	9.5
2	2.20	4.75	4	0.75	6.50	3.23	4.80	6.30	1.65	5.51	3.25	4.13	3.54	8.66	6.57	2.52		
2½	2.72	5.50	4	0.75	7.28	3.78	4.80	6.30	1.81	5.91	3.64	4.53	3.54	9.06	6.57	2.52		
3	3.03	6.00	4	0.75	8.31	4.17	4.80	6.30	1.81	6.50	4.15	5.12	3.54	9.65	6.57	2.52		
4	4.02	7.50	8	0.75	9.37	5.31	4.80	6.30	2.20	7.09	4.69	5.71	3.54	10.24	6.57	2.52		
5	5.08	8.50	8	0.88	10.39	6.69	4.80	6.30	2.60	7.68	5.20	6.30	3.54	10.83	6.57	2.52		
6	5.91	9.50	8	0.88	11.22	7.52	4.80	6.30	2.80	8.27	5.61	6.89	3.54	11.42	6.57	2.52		
8	7.68	11.75	8	0.88	13.39	9.53	4.80	6.30	3.43	9.49	6.69	8.11	3.54	12.64	6.57	2.52		
10	9.84	14.25	12	1.00	16.57	11.89	4.80	6.30	4.33	10.87	8.31	9.49	3.62	14.02	6.57	2.52		
12	11.93	17.00	12	1.00	19.21	14.17	7.40	11.81	5.08	13.39	9.61	11.73	4.25	19.29	10.71	3.90		
14	13.82	18.75	12	1.12	21.22	15.47	7.40	11.81	5.08	14.45	10.63	12.80	4.25	20.35	10.71	3.90		

NOTE: The shape and appearance of assembly differ a little with nominal size compared to this drawing.



158 GASKET (L)	1	EPDM		
157 SCREW (F)	4	STAINLESS STEEL 304		
156 LINER STABILIZATION RING	2	STAINLESS STEEL (SCS13)		
28 BOLT (C)	4	STAINLESS STEEL 304		
25 GEAR BOX	1	PLASTIC, ETC.		
8 STEM RETAINER (A)	1	PP		
7 STEM (1)	1	<input type="checkbox"/> STAINLESS STEEL 316 <input type="checkbox"/> Others ()		
6 O-RING (C)	1	<input type="checkbox"/> EPDM <input type="checkbox"/> FKM <input type="checkbox"/> Others ()		
3 SEAT	1	BODY/ DISC <input type="checkbox"/> U-PVC / PP <input type="checkbox"/> U-PVC / U-PVC <input type="checkbox"/> PP / PP <input type="checkbox"/> PVDF / PVDF		
2 DISC	1			
1 BODY	1			
No.	DESCRIPTION	No. REQ'D	MATERIAL	REMARKS

ASAHI/AMERICA
 ISO 9001 CERTIFIED
 35 GREEN STREET, P.O. BOX 653, MALDEN, MA.

BUTTERFLY VALVE TYPE57
 GEAR TYPE
 1-1/2" THRU 14"

THIS DRAWING AND ALL INFORMATION HEREON IS THE PROPERTY OF ASAHI/AMERICA. ANY COPYING, REPRODUCTION OR UNAUTHORIZED USE IS FORBIDDEN WITHOUT WRITTEN CONSENT.

NAME	DATE
DR JOHN GLASSFORD	5/27/05
APPD DAVE HURLEY	5/27/05
PROD LED LESTER	5/27/05
WO#/CO#	
FILE	

SIZE	DWG. NO.	REV
A	0172BF57	B

SCALE NTS SHEET 1 OF 1